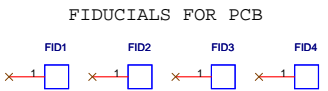
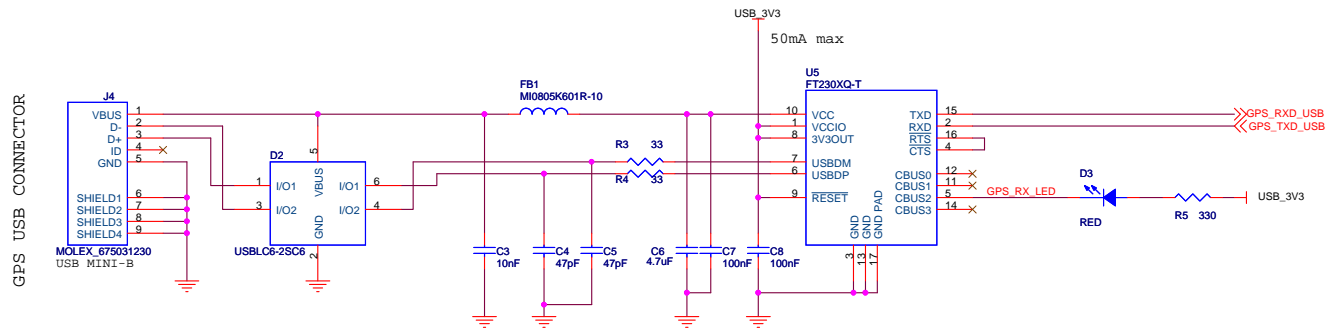
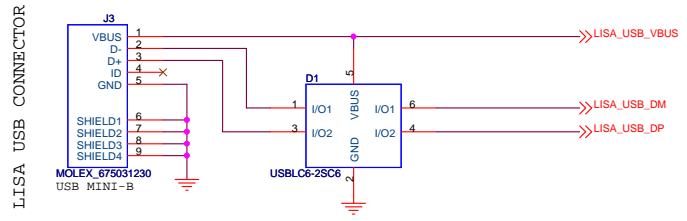
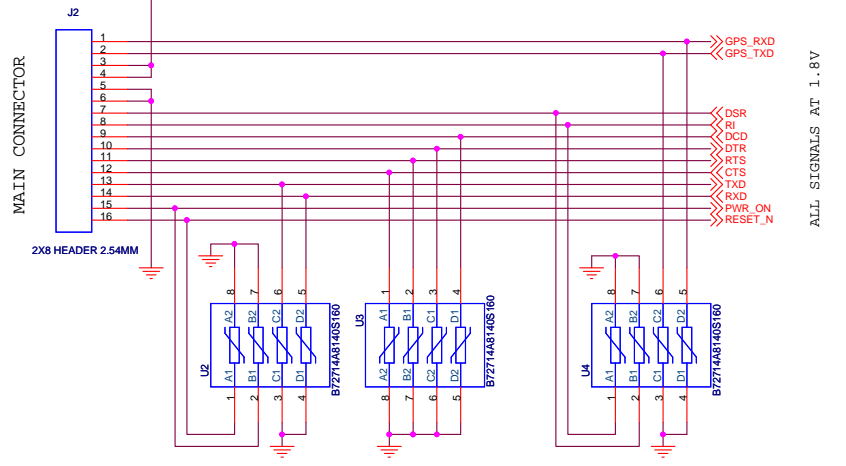
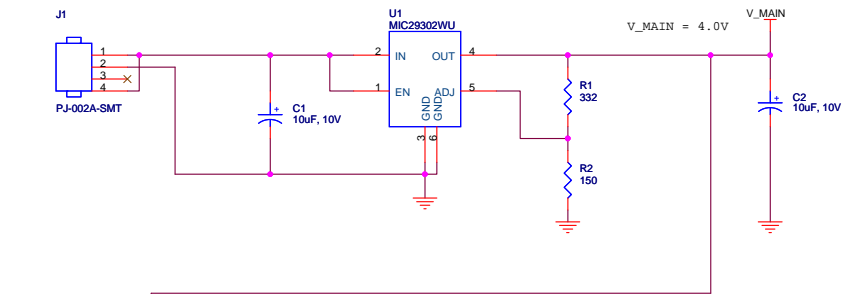
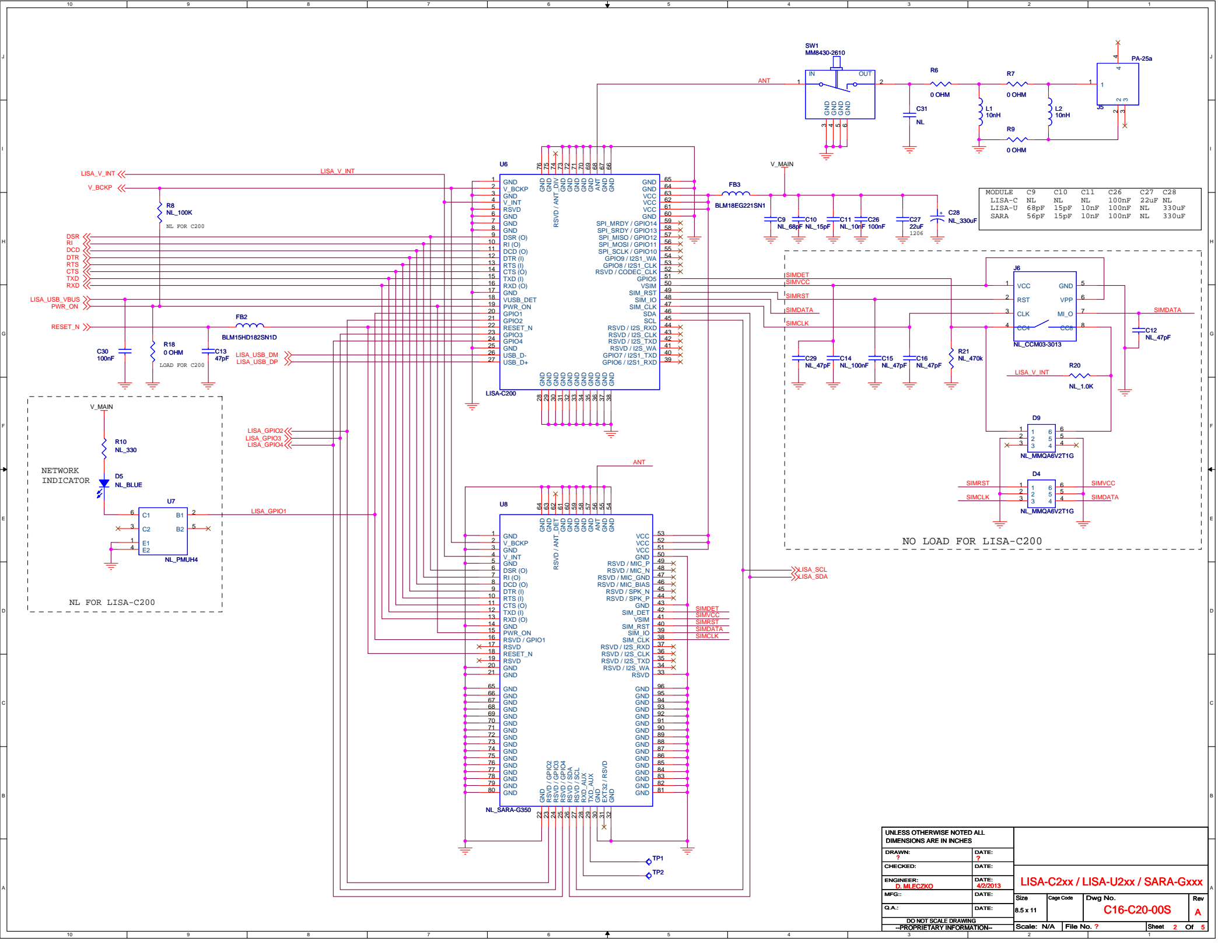


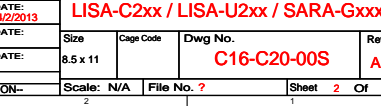
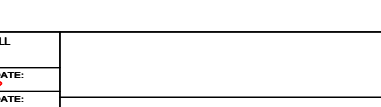
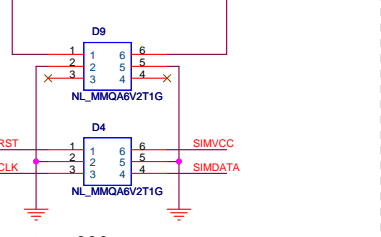
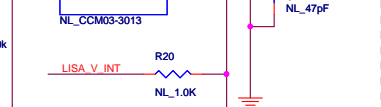
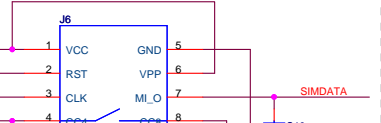
NOTES :



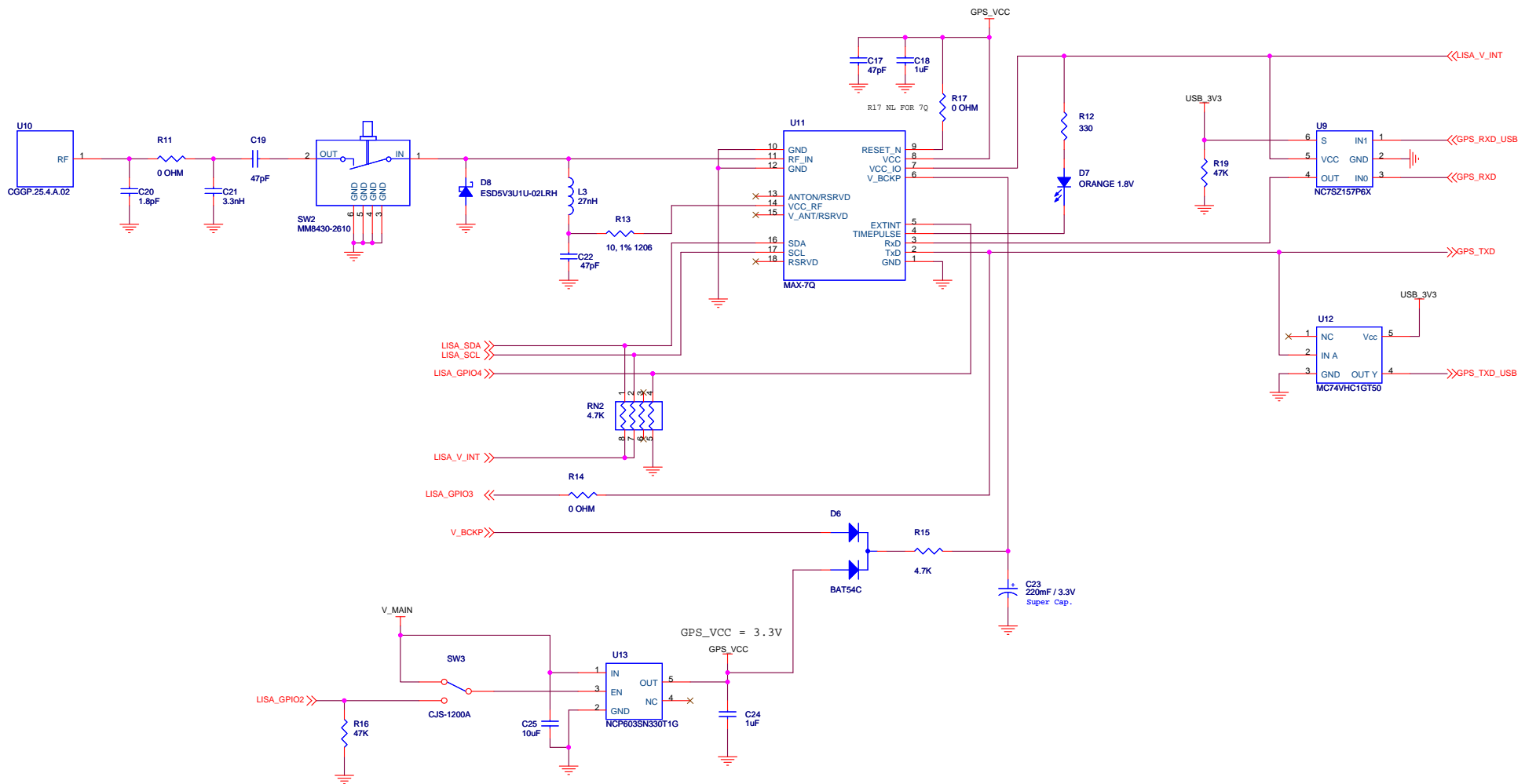
UNLESS OTHERWISE NOTED ALL DIMENSIONS ARE IN INCHES			
DRAWN: ?	DATE: ?		
CHECKED: ?	DATE: ?		
ENGINEER: D. MLECZKO	DATE: 4/2/2013	Connectors	
MFG: ?	DATE: ?	Size	Cage Code
G.A.: ?	DATE: ?	8,5 x 11	
DO NOT SCALE DRAWING		C16-C20-00S	
-PROPRIETARY INFORMATION-		Scale: N/A	File No. ?
		Sheet	1 Of 5



MODULE	C9	C10	C11	C26	C27	C28
LISA-C	NL	NL	NL	100nF	22uF	NL
LISA-U	68pF	15pF	10nF	100nF	NL	330uF
SARA	56pF	15pF	10nF	100nF	NL	330uF



UNLESS OTHERWISE NOTED ALL DIMENSIONS ARE IN INCHES					
DRAWN: ?	DATE: ?				
CHECKED: ?	DATE: ?				
ENGINEER: D. MLECZKO	DATE: 4/22/2013			LISA-C2xx / LISA-U2xx / SARA-Gxxx	
MFG: ?	DATE: ?	Size	Cage Code	Dwg No.	Rev
G.A.: ?	DATE: ?	8.5 x 11		C16-C20-00S	A
DO NOT SCALE DRAWING					
-PROPRIETARY INFORMATION-					
Scale: N/A		File No. ?		Sheet 2 Of 5	



UNLESS OTHERWISE NOTED ALL DIMENSIONS ARE IN INCHES			
DRAWN: ?	DATE: ?		
CHECKED: ?	DATE: ?		
ENGINEER: D. MLECZKO	DATE: 4/2/2013	GPS (MAX-6Q/7Q)	
MFG: :	DATE: :	Size	Cage Code
G.A.: :	DATE: :	C16-C20-00S	
DO NOT SCALE DRAWING		8,5 x 11	Rev
-PROPRIETARY INFORMATION-		Scale: N/A	File No. ?
		Sheet	5 Of 5