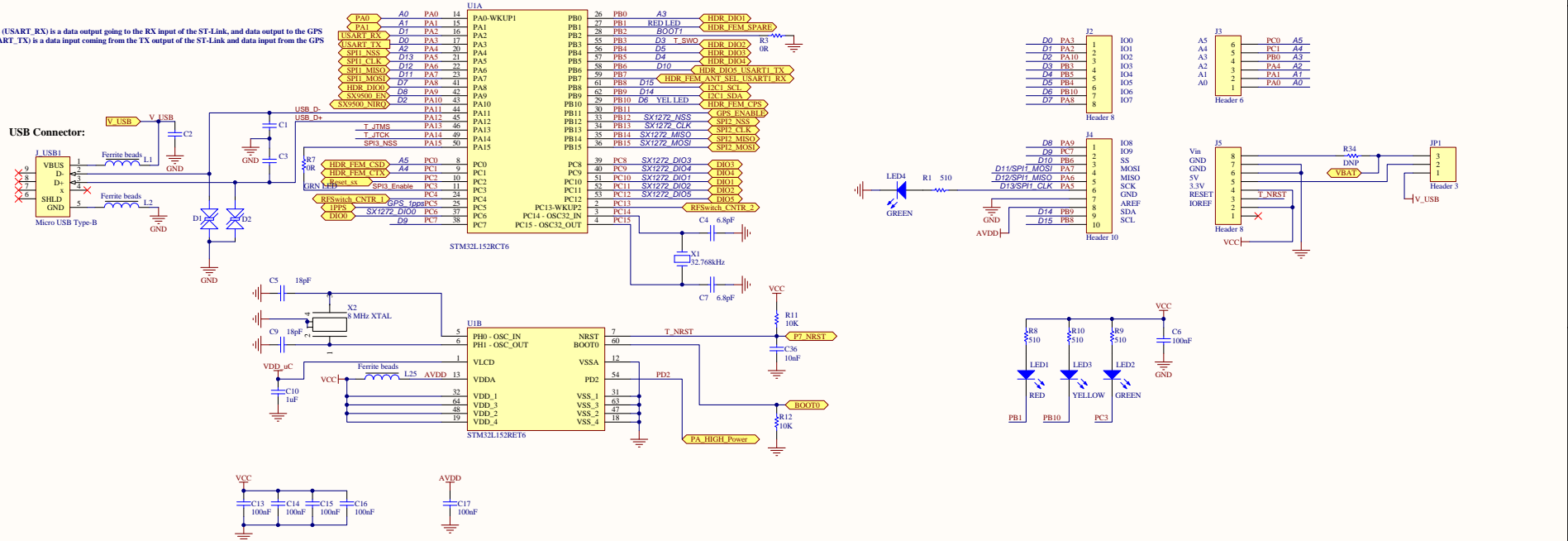


**SWD**

TCK	T_JTCK
TMS	T_JTMS
NRST	T_NRST
SWO	T_SWO

PA2 (USART\_RX) is a data output going to the RX input of the ST-Link, and data output to the GPS  
 PA3 (USART\_TX) is a data input coming from the TX output of the ST-Link and data input from the GPS

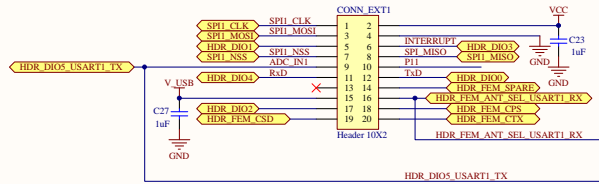
**Arduino connector**



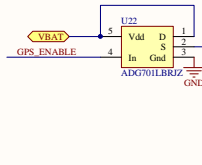
Title			
NA Moté V3 MCU			
Size	Number	Revision	
C	SX1272LM1CEP	3	
Date:	5/19/2015	Sheet	Inf
File:	C:\NA_Mote_V3_Sch1	4	Efo



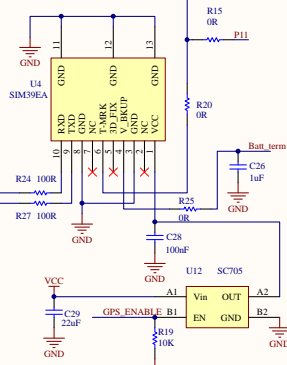
**2x10pin Header Connector**



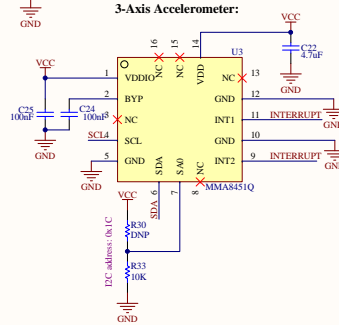
**Battery voltage monitor**



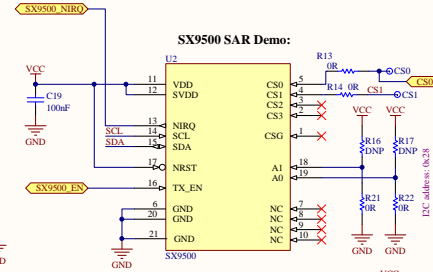
**GPS Receiver**



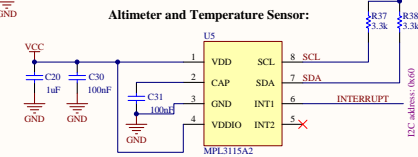
**3-Axis Accelerometer:**



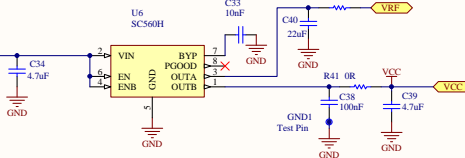
**SX9500 SAR Demo:**



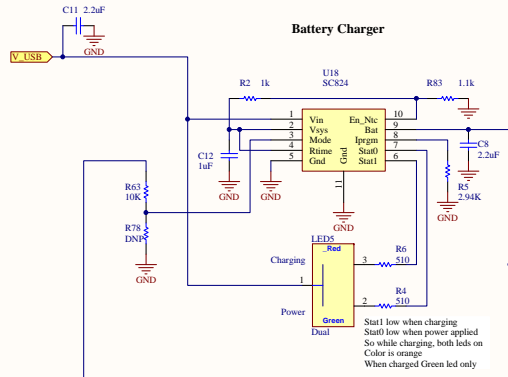
**Altimeter and Temperature Sensor:**



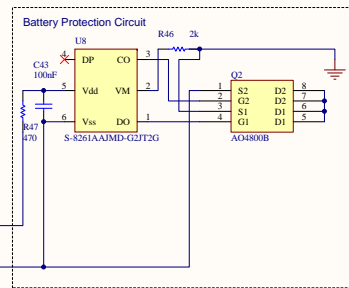
**DC Power Management**



**Battery Charger**



**DNP (for use only when battery has no internal protection)**

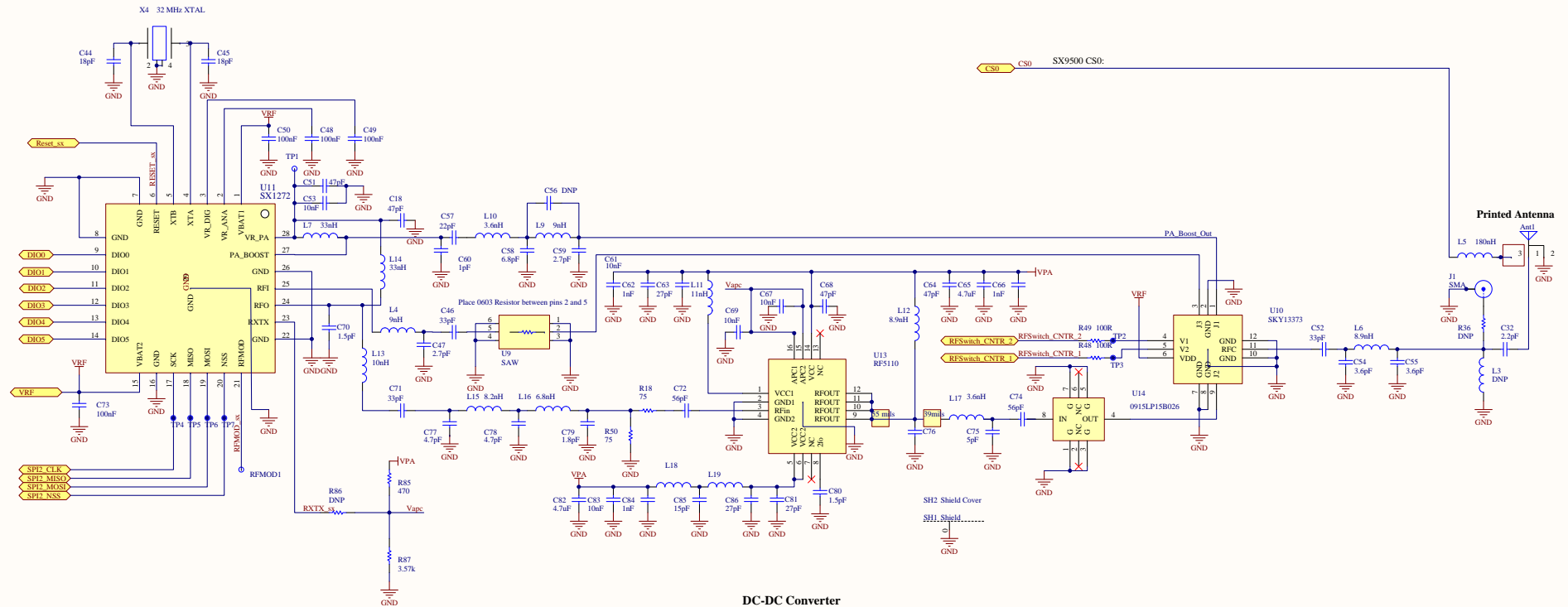


Semtech logos + Fiducial\_Marks:

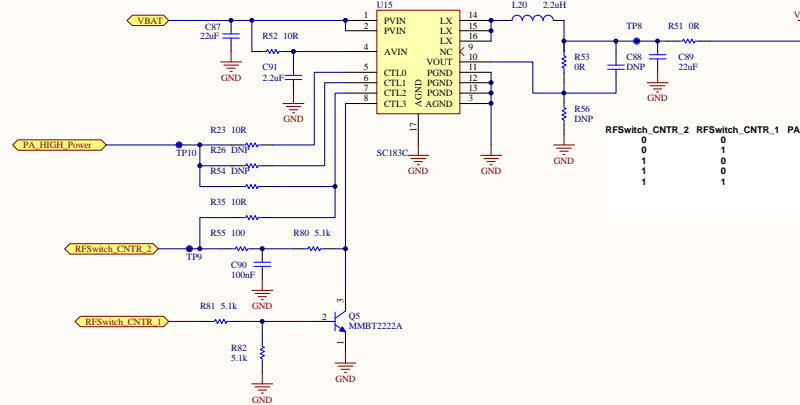
- Logo LoRa 1
- Logo LoRa 2
- Fiducial Mark1
- Logo Semtech 1
- Logo Semtech 2
- Logo Semtech 1



Title: NA_Mote_V3_Periph		
Size: C	Number: SX1272LM1CEP	Revision: 3
Date: 5/19/2015	Sheet: 2of 4	
File: C:\NA_Mote_V3_Periph_V3_Sch\Drawn By: Efo		



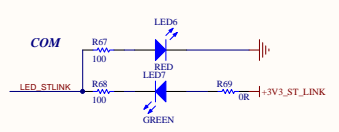
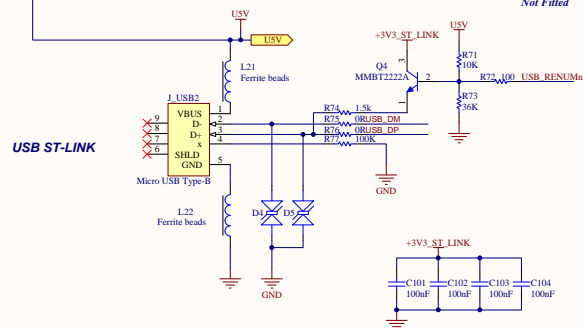
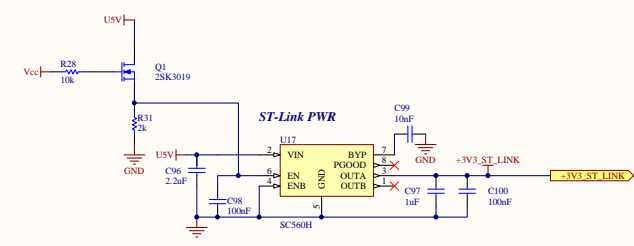
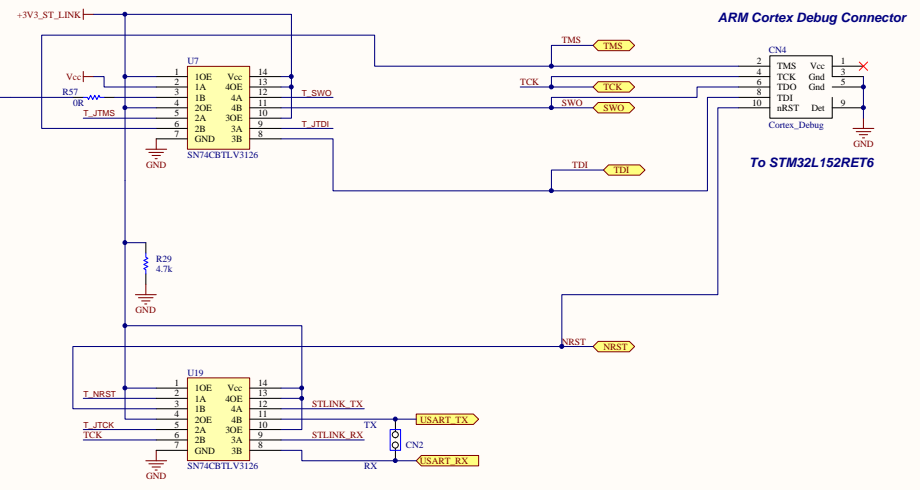
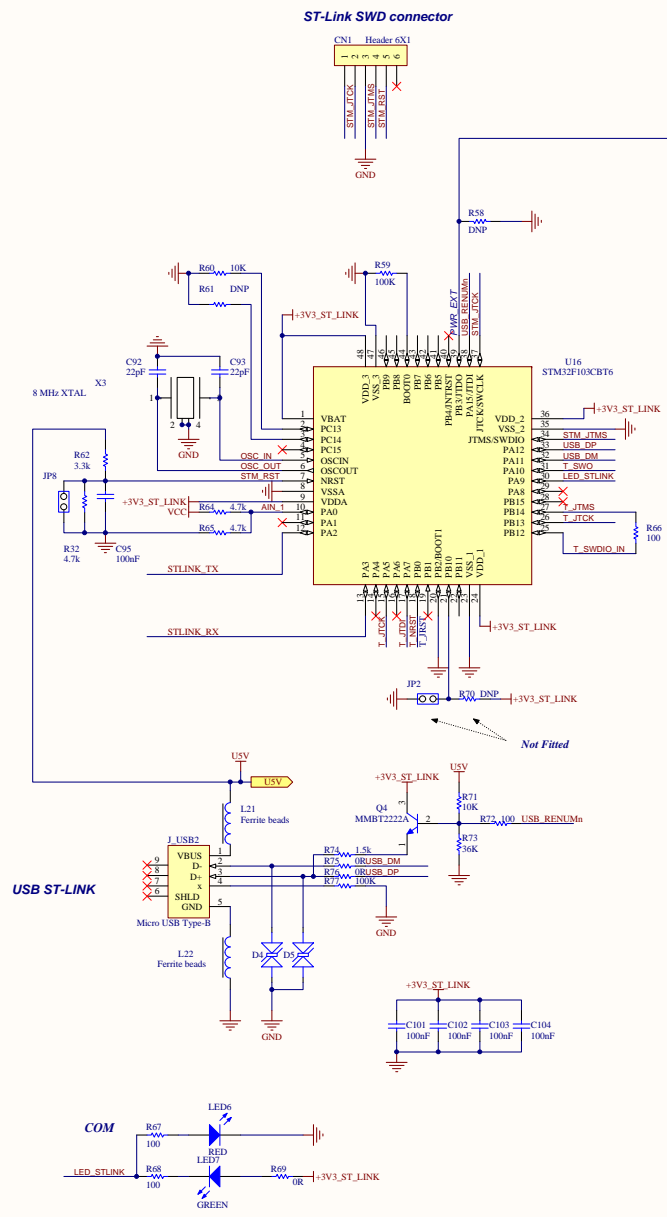
**DC-DC Converter**



RFSwitch_CNTR_2	RFSwitch_CNTR_1	PA_HIGH_Power	
0	0	0	Shut Down
0	1	X	PA_Boost->ANT
1	0	0	Power Amp->ANT, 26dBm
1	0	1	Power Amp->ANT, 30dBm
1	1	X	ANT->RCV_In



Title	NA Motie V3 RF	
Size	Number	Revision
C	SX1272LM1CEP	3
Date:	5/19/2015	Sheet 3 of 4
File:	C:\NA_Motie_V3_Sch\Drawn By: EFO	



Title		
NA Note V3 ST-Link		
Size	Number	Revision
C	SX1272LM1CEP	3
Date:	5/19/2015	Sheet 4 of 4
File:	C:\NA_Mote_V3 ST-Link_V3.3.dwg	Drawn By: EFO