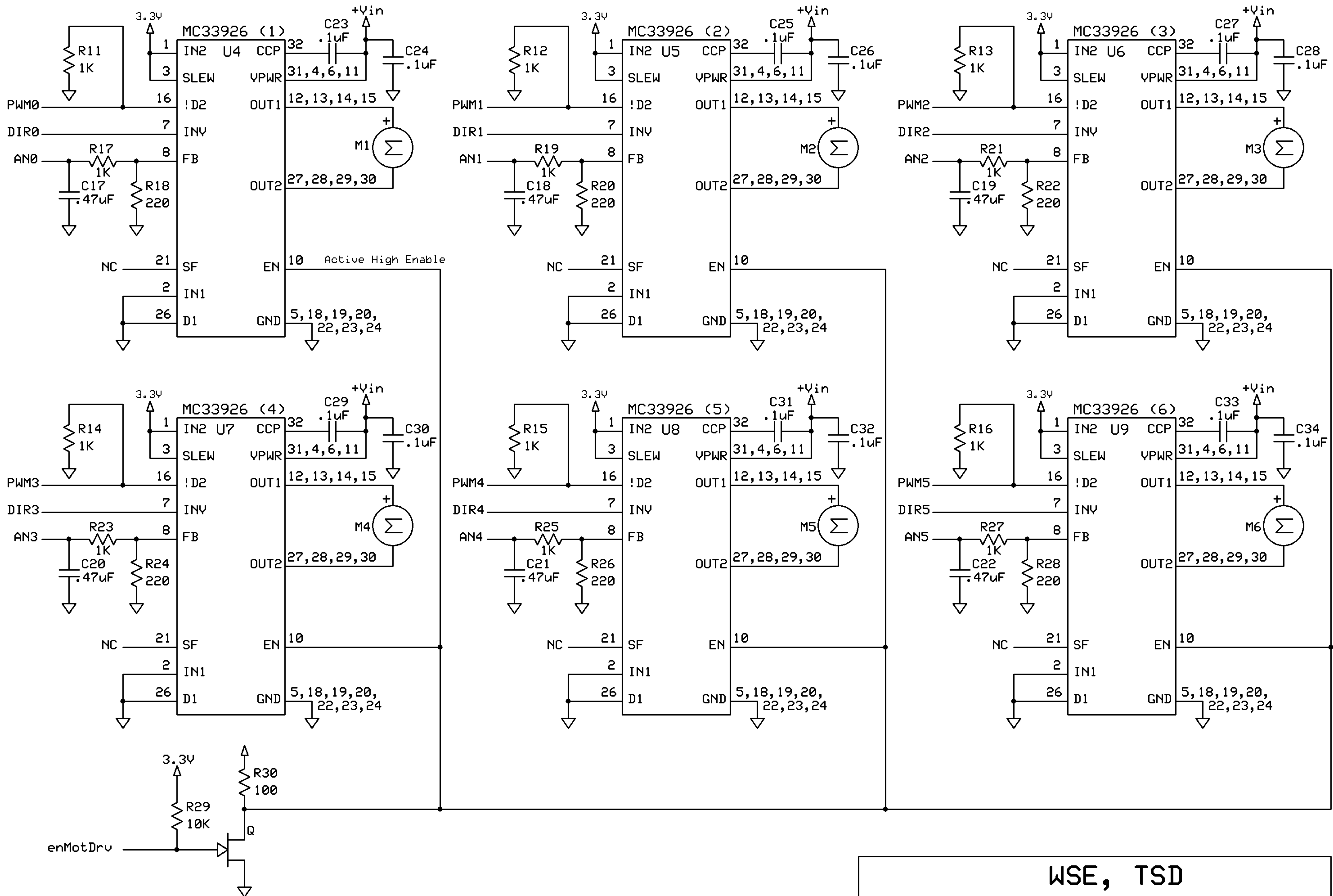
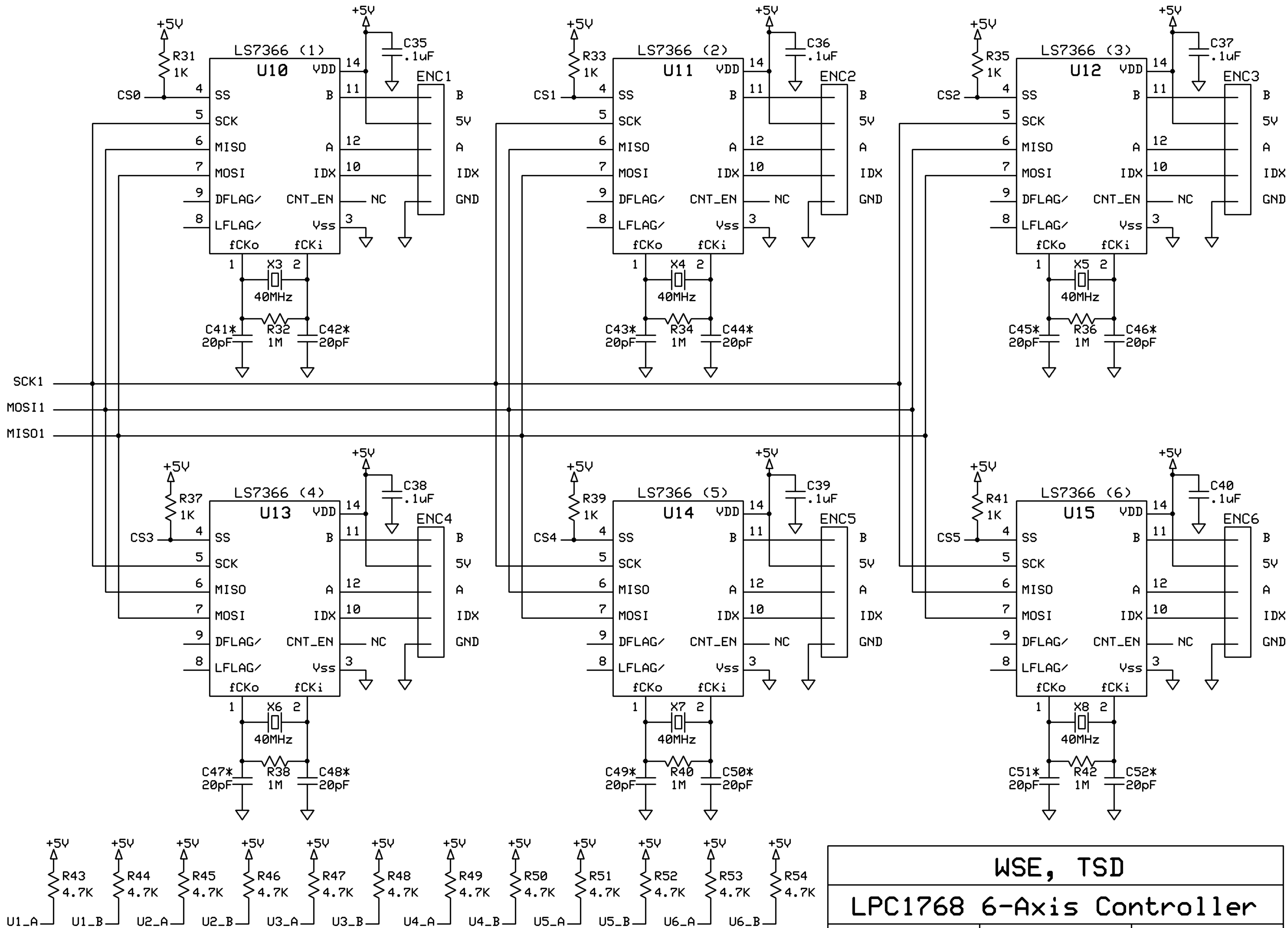


\*- pin13 is attached to Vcc for LPC2368 compatibility  
 \*\*-Solder pull-up resistor to write protect

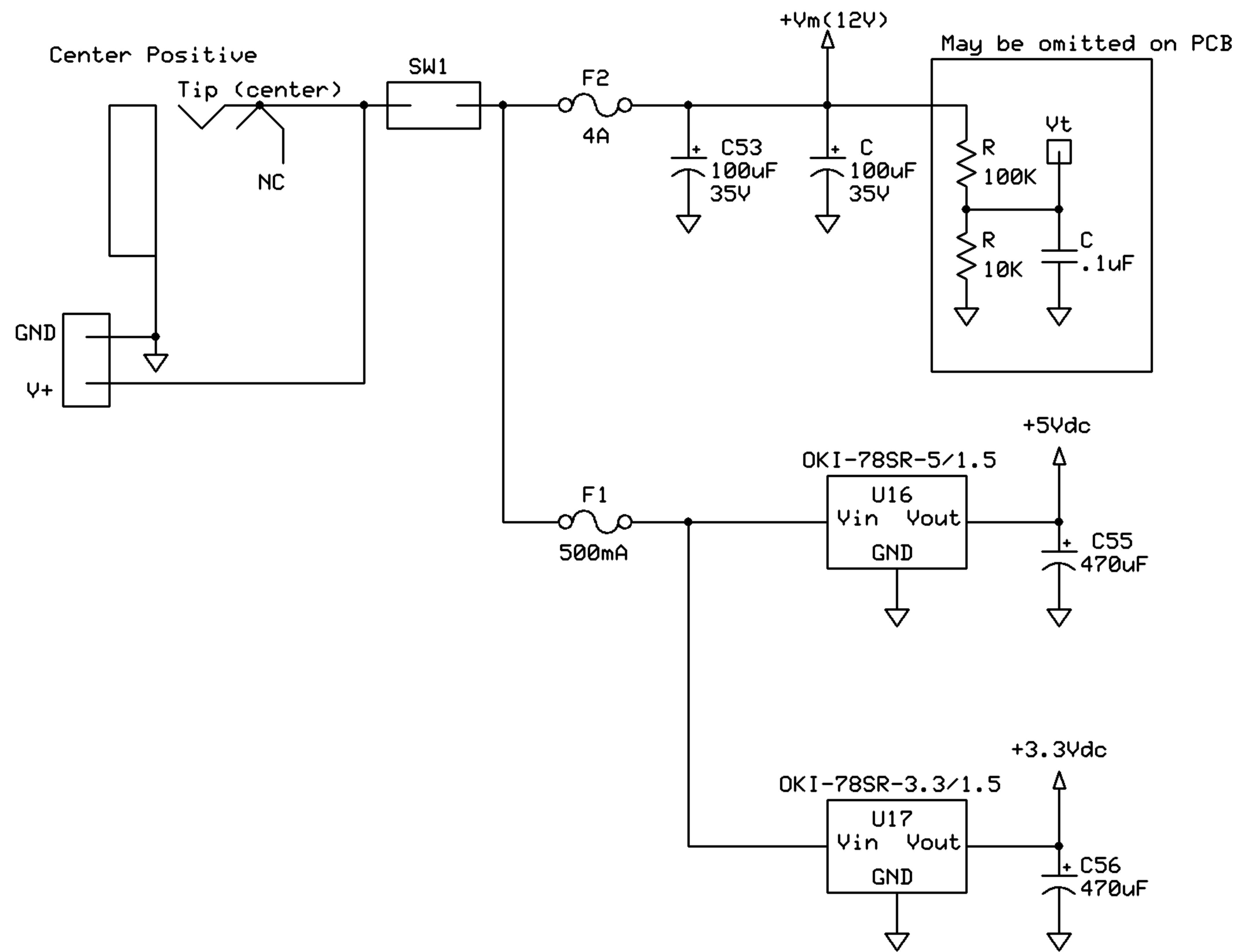
<b>WSE, TSD</b>		
<b>LPC1768 6-AxisController</b>		
J Bradshaw	Rev 2.0	Page # 1 of 4
	12/14/2016	





\* - All 20pF oscillator caps are not populated on production 1 PCB's ver 1.0  
 Error on PCB placed both caps on pin 2 of the IC

<b>WSE, TSD</b>		
<b>LPC1768 6-Axis Controller</b>		
J. Bradshaw	Rev 1.0	Page # 3 of 4
	12/16/2016	



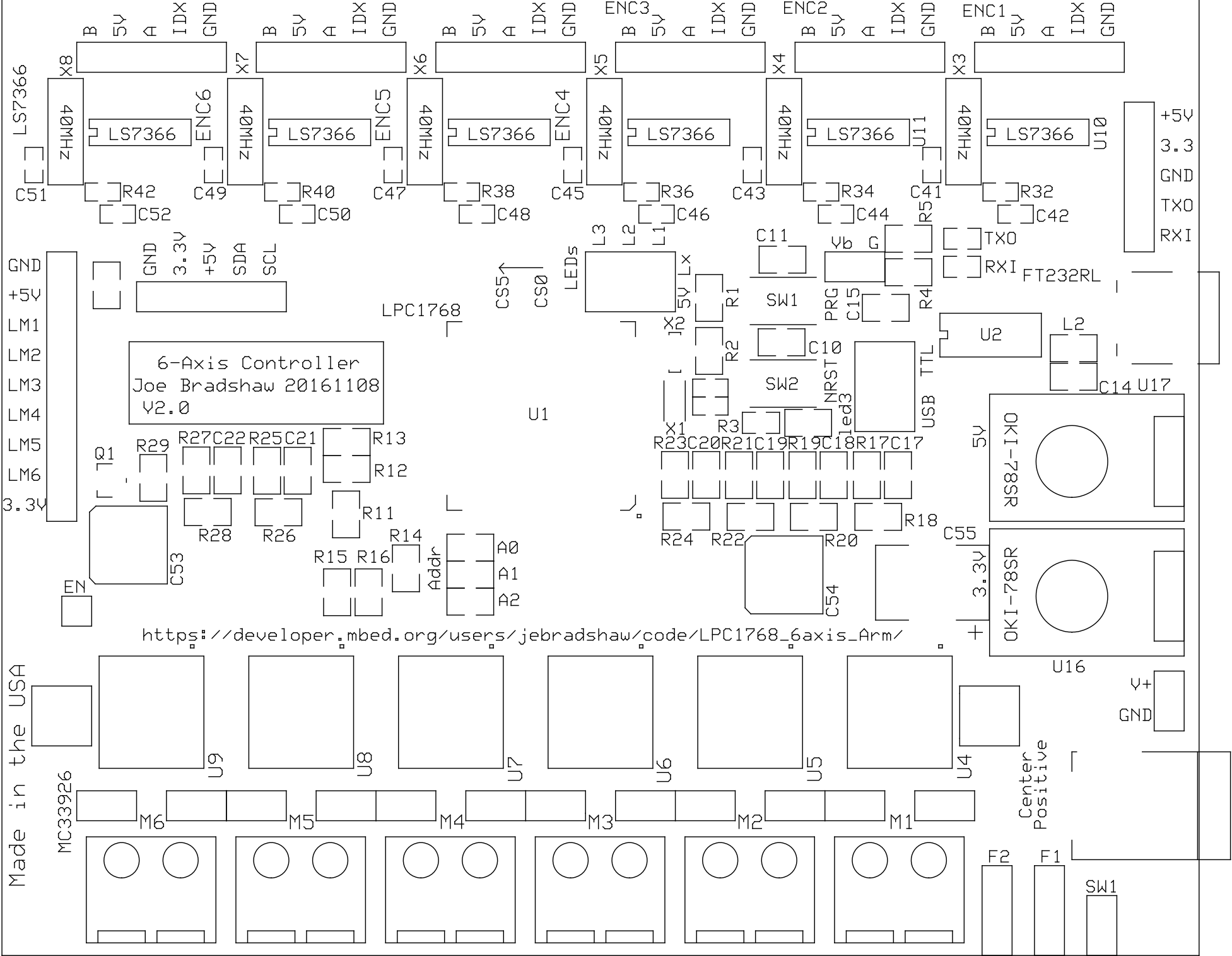
WSE, TSD

LPC1768 6-Axis Controller

J. Bradshaw

Rev 1.0  
12/16/2016

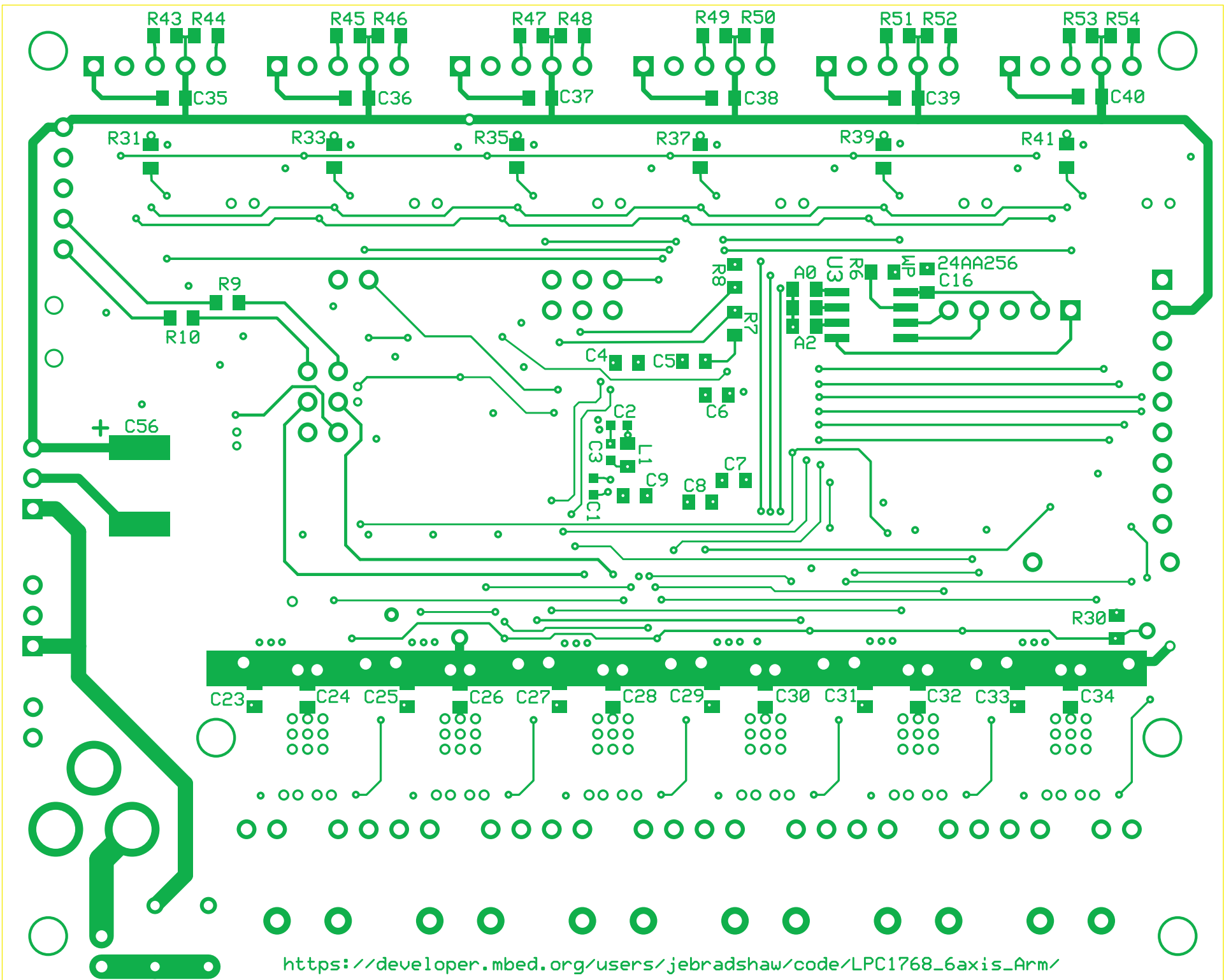
Page # 4 of 4



Made in the USA

MC33926

[https://developer.mbed.org/users/jibradshaw/code/LPC1768\\_6axis\\_Arm/](https://developer.mbed.org/users/jibradshaw/code/LPC1768_6axis_Arm/)



[https://developer.mbed.org/users/jebradshaw/code/LPC1768\\_6axis\\_Arm/](https://developer.mbed.org/users/jebradshaw/code/LPC1768_6axis_Arm/)