

GR-LYCHEE(mbed-RZ/A1LU) Circuit schematic 【 X50A-M01-C 】

Released under the Creative Commons Attribution Share-Alike 3.0 License
<http://creativecommons.org/licenses/by-sa/3.0>

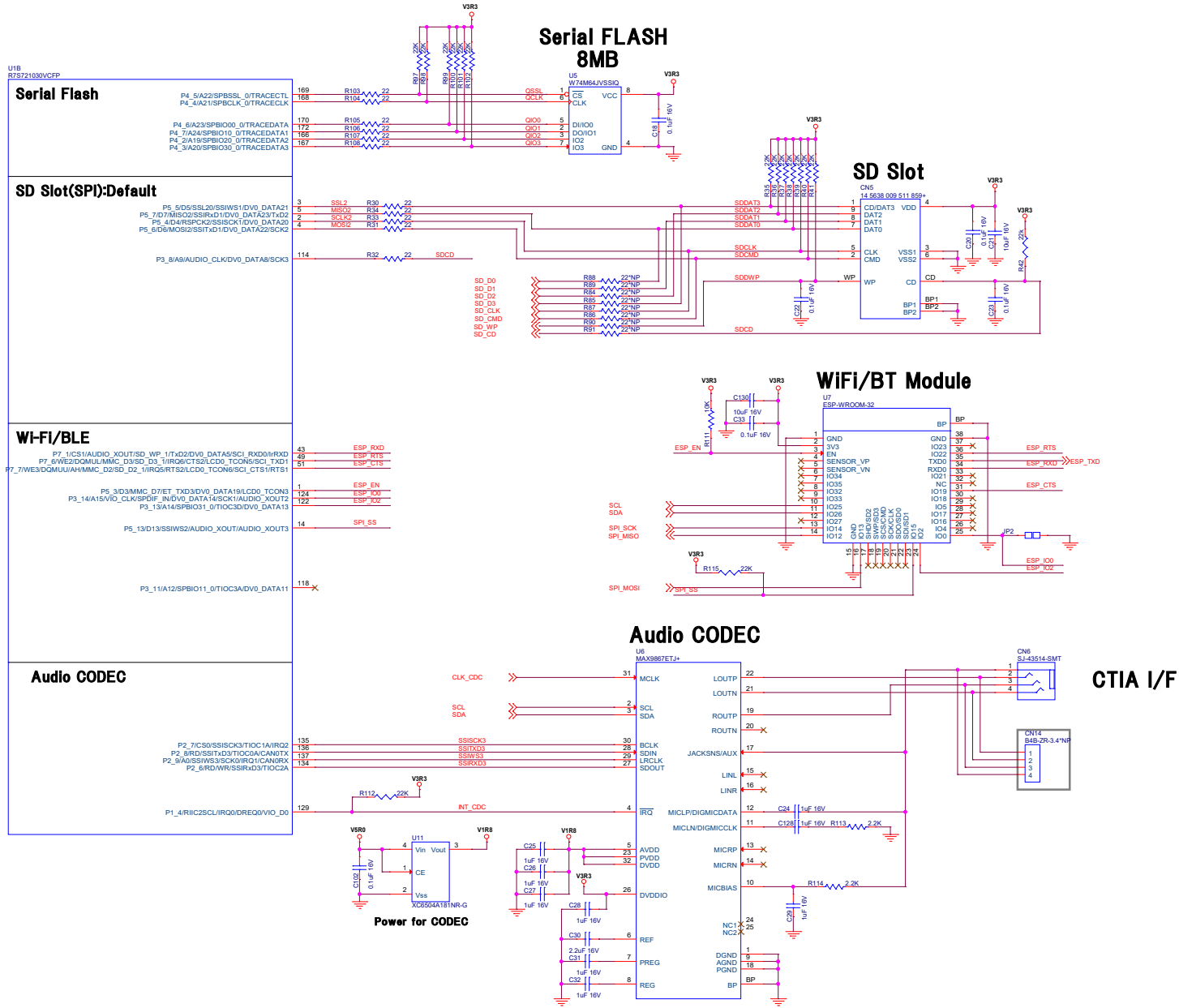
GR-LYCHEE Design by Core Corporation

SHT.1 Title Sheet
SHT.2 MBED-IF / USB / JTAG / Switch / LED Block
SHT.3 Serial FLASH / SD Slot / CODEC Block
SHT.4 Arduino / WIFI / Camera / LCD Block
SHT.5 CPU Power / Clock Block

Core Co.Ltd.,

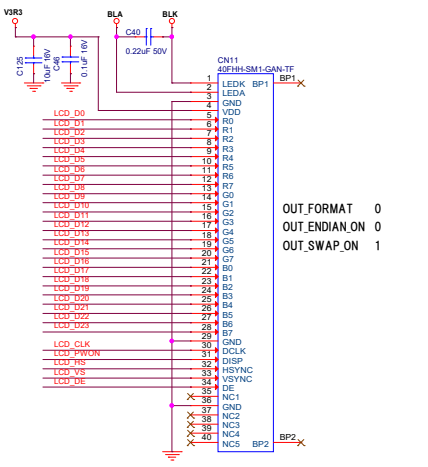
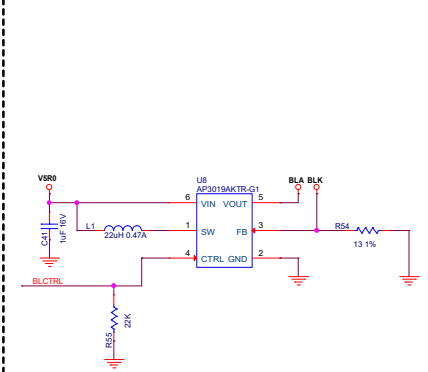
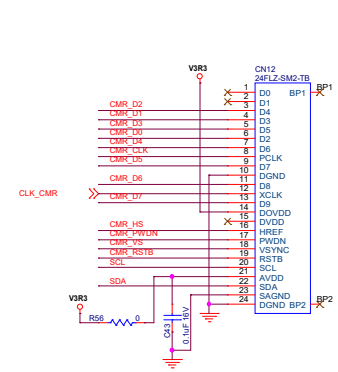
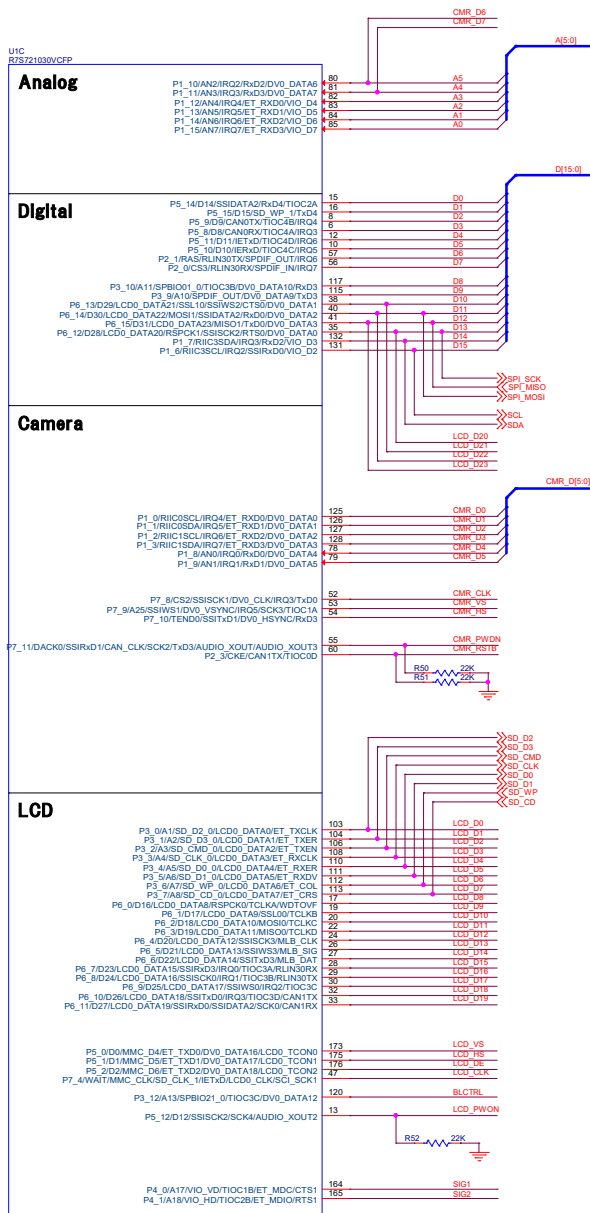
File	GR-LYCHEE(mbed-RZ/A1LU) Board Circuit	
Size	Document Number	Rev
X50A-M01-C		4
Date	Monday, August 21, 2017	Sheet 1 of 6

SHT.3 Serial FLASH / SD Slot / CODEC Block



Notice: This board is not compatible with 5V tolerant signal.

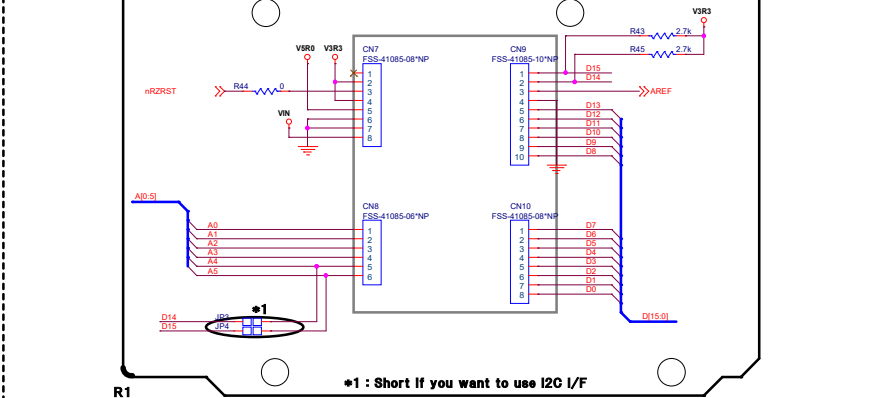
SHT.4 Arduino / WiFi / Camera / LCD Block



Camera I/F

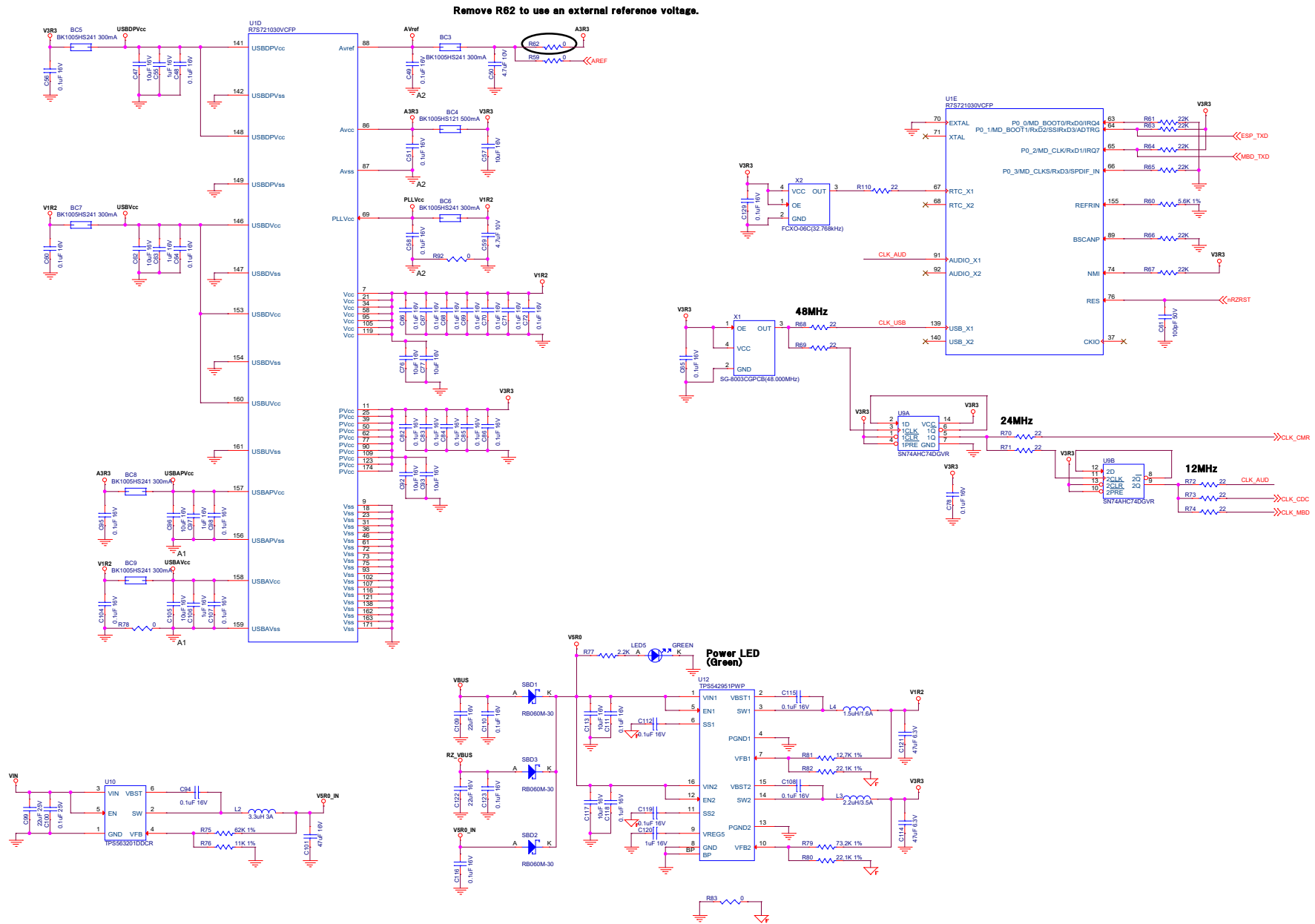
Backlight

LCD I/F



Notice: This board is not compatible with 5V tolerant signal.

SHT.5 CPU Power / Clock Block



Notice: This board is not compatible with 5V tolerant signal.