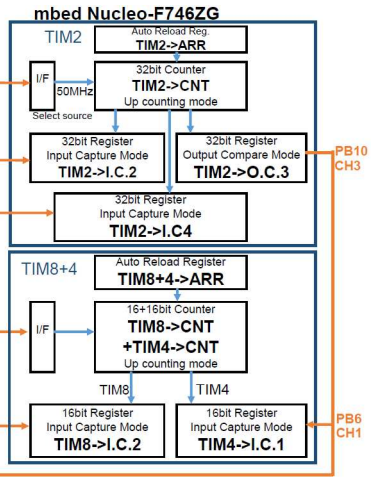
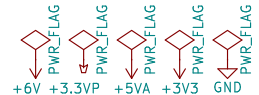


**CAUTION**  
 Need to remove folloing jumpers on Nucleo-F746ZG board  
 1) SB13 (PA1 line) remove  
 2) SB181 (PC5 line) remove



Measurement frequency range: 10Hz to 100MHz  
 Up to 1GHz (use 1/10 prescaler)  
 Power Supply: +6V 2A  
 Box temperature target: 32deg.C  
 CPU: mbed NUCLEO-F746ZG



This is Part1 of three (Change GPS Module)  
 Updated on November 24th, 2016  
 By Kenji Arai  
<http://www.page.sannet.ne.jp/kenjia/index.html>  
**JH1PJL**  
 Sheet: /  
 File: frq\_cnr\_v1\_1of3.sch

<b>Title: Frequency Counter using GPS 1PPS signal</b>		
Size: A4	Date: July 31st, 2016	Rev: 2.0
KiCad E.D.A. kicad 4.0.1-stable		Id: 1/1