

KINETIS-L WIGO Module	
Avnet Design Services	
[Board Web Link]	
Title	Sheet Number
Cover Sheet	1
Block Diagram	2
WiFi Module	3
FLASH Memory and Sensors	4
Battery Management, Buck-Boost and Indicators	5
Interface Connectors	5




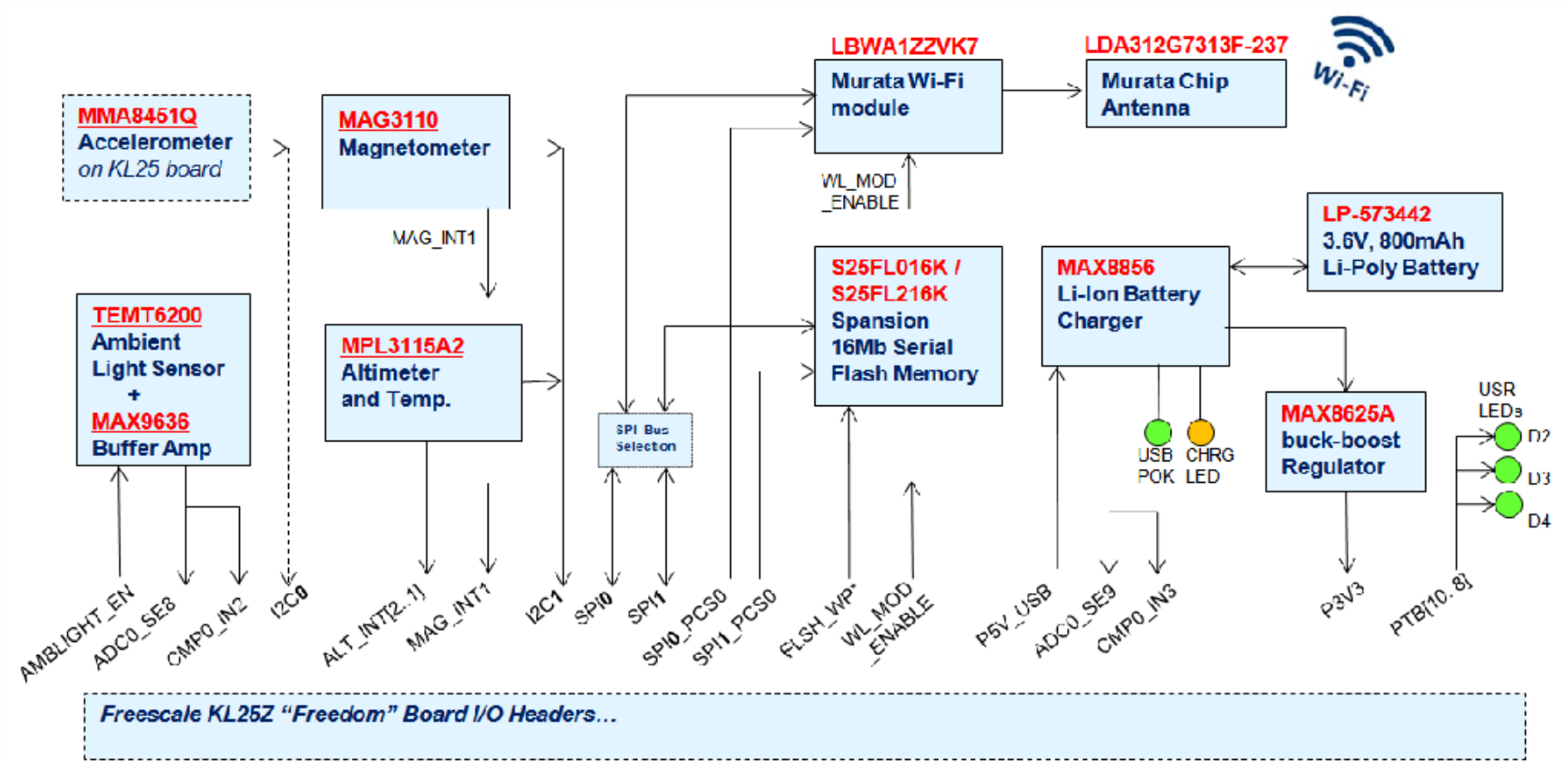
9/18/2012
1:35:46 PM

Copyright 2012, Avnet, Inc. All Rights Reserved.

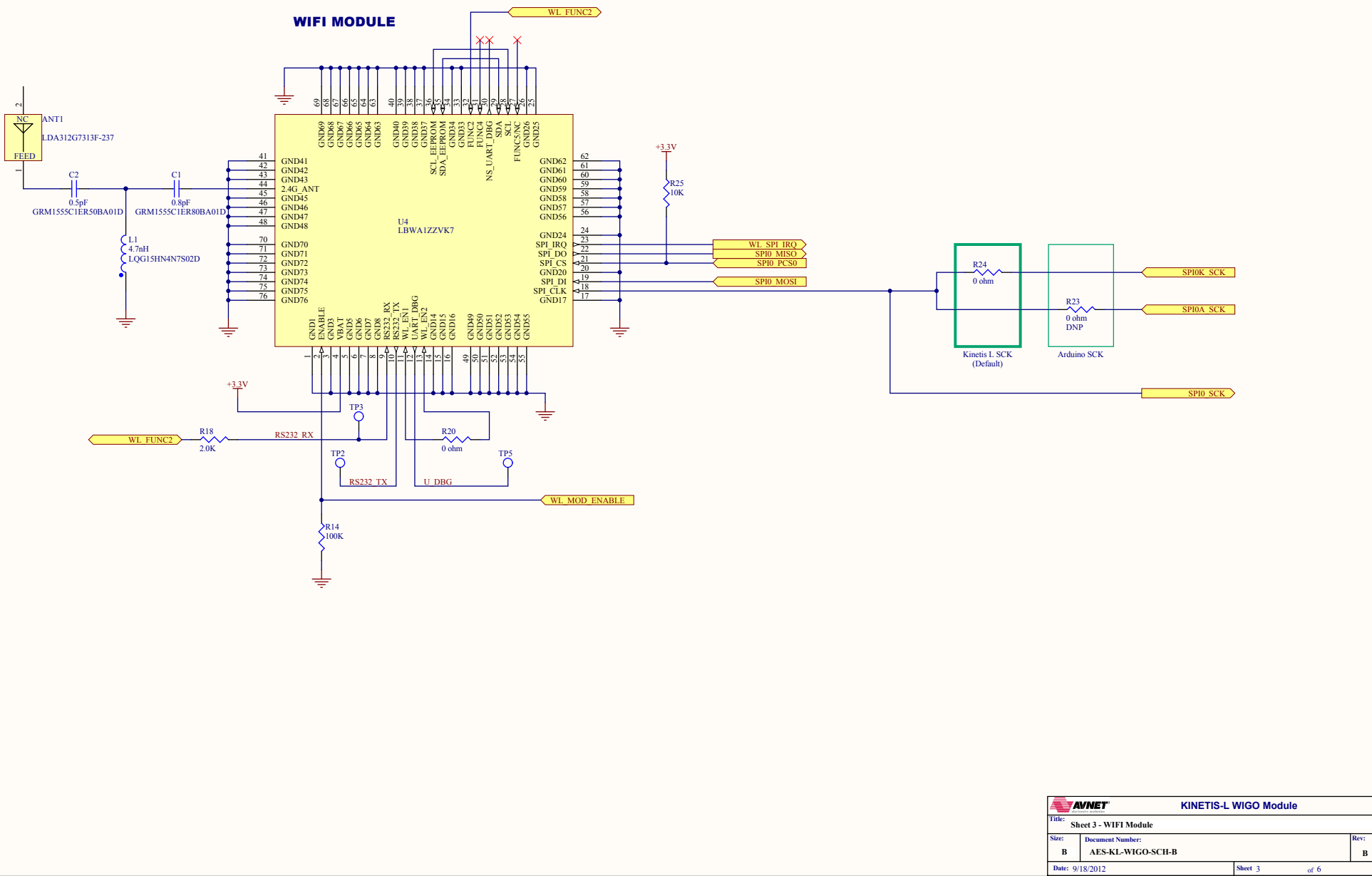
This material may not be reproduced, distributed, republished, displayed, posted, transmitted or copied in any form or by any means without the prior written permission of Avnet, Inc. AVNET and the AV logo are registered trademarks of Avnet, Inc. All trademarks and trade names are the properties of their respective owners and Avnet, Inc. disclaims any proprietary interest or right in trademarks, service marks and trade names other than its own.

Avnet is not responsible for typographical or other errors or omissions or for direct, indirect, incidental or consequential damages related to this material or resulting from its use. Avnet makes no warranty or representation respecting this material, which is provided on an "AS IS" basis. AVNET HEREBY DISCLAIMS ALL WARRANTIES OR LIABILITY OF ANY KIND WITH RESPECT THERETO, INCLUDING, WITHOUT LIMITATION, REPRESENTATIONS REGARDING ACCURACY AND COMPLETENESS, ALL IMPLIED WARRANTIES AND CONDITIONS OF MERCHANTABILITY, SUITABILITY OR FITNESS FOR A PARTICULAR PURPOSE, TITLE AND/OR NON-INFRINGEMENT. This material is not designed, intended or authorized for use in medical, life support, life sustaining or nuclear applications or applications in which the failure of the product could result in personal injury, death or property damage. Any party using or selling products for use in any such applications do so at their sole risk and agree that Avnet is not liable, in whole or in part, for any claim or damage arising from such use, and agree to fully indemnify, defend and hold harmless Avnet from and against any and all claims, damages, loss, cost, expense or liability arising out of or in connection with the use or performance of products in such applications.

		KINETIS-L WIGO Module	
Title: Sheet 1 - Lead Sheet			
Size: B	Document Number: AES-KL-WIGO-SCH-B		Rev: B
Date: 9/18/2012	Sheet 1	of 6	

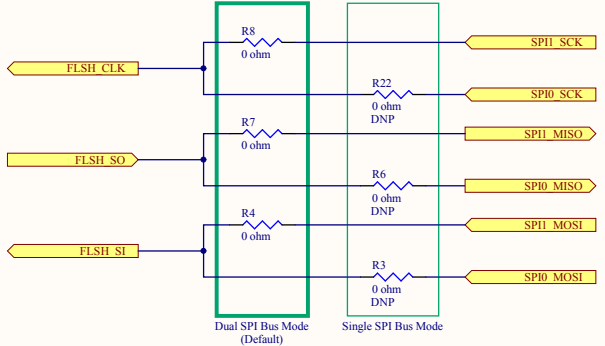
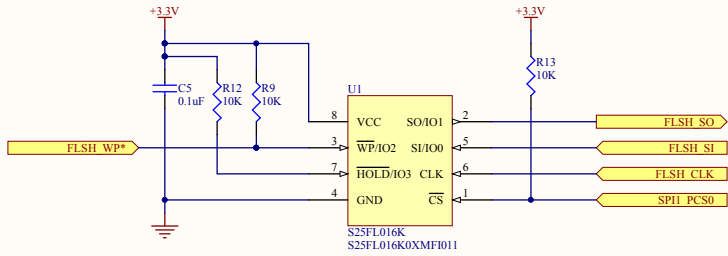


WIFI MODULE

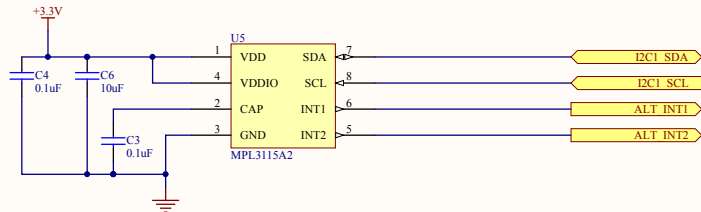


		KINETIS-L WIGO Module	
Title: Sheet 3 - WIFI Module			
Size: B	Document Number: AES-KL-WIGO-SCH-B		Rev: B
Date: 9/18/2012	Sheet 3	of 6	

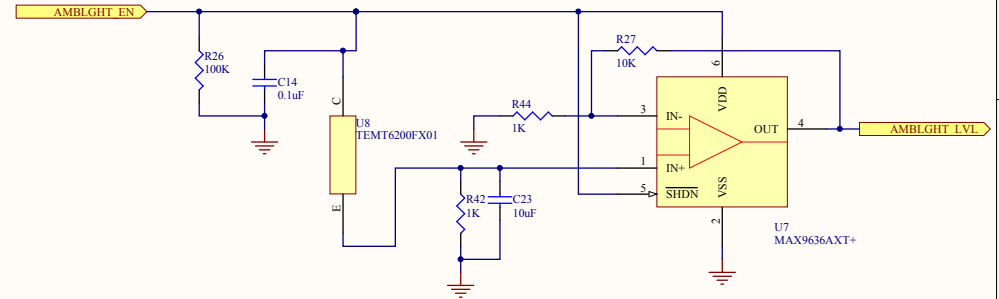
SERIAL FLASH - 16Mbit



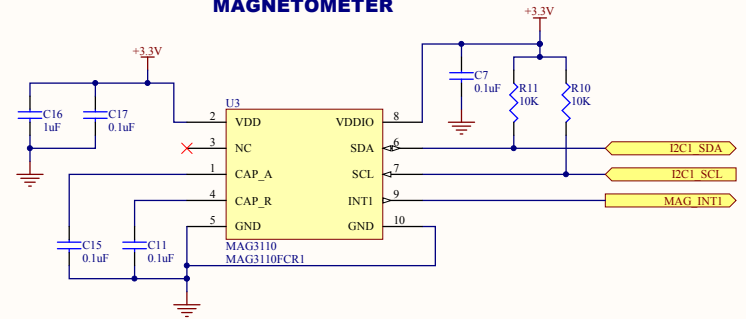
ALTIMETER/PRESSURE/TEMPERATURE SENSOR



AMBIENT LIGHT SENSOR

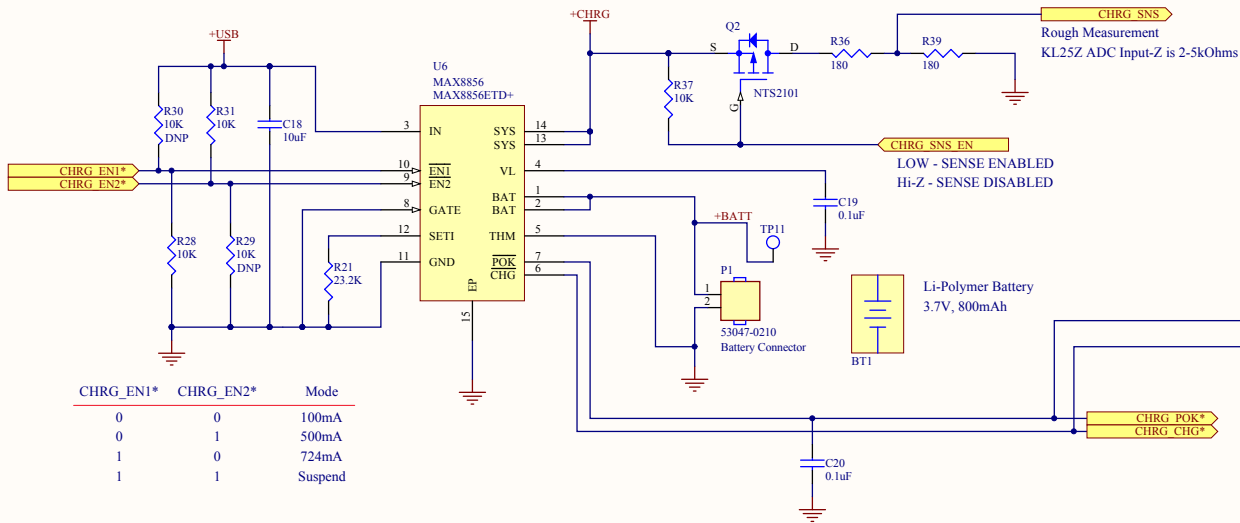


MAGNETOMETER



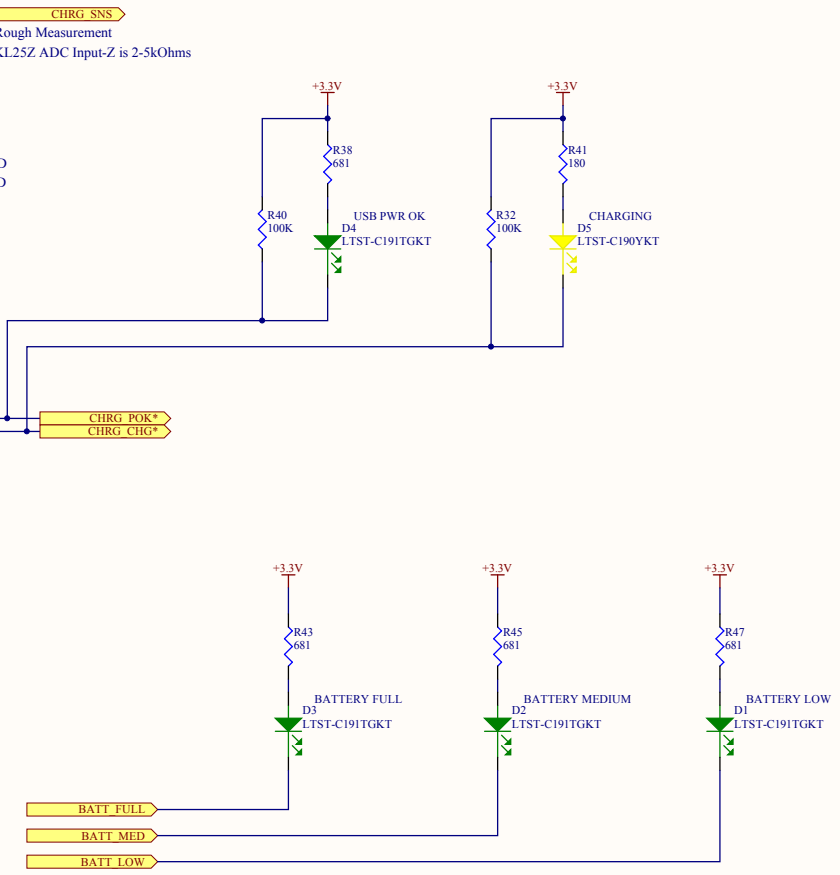
AVNET		KINETIS-L WIGO Module	
Title: Sheet 4 - FLASH Memory and Sensors			
Size: B	Document Number: AES-KL-WIGO-SCI-B	Rev: B	
Date: 9/18/2012	Sheet 4	of 6	

BATTERY CHARGER/POWER MANAGER

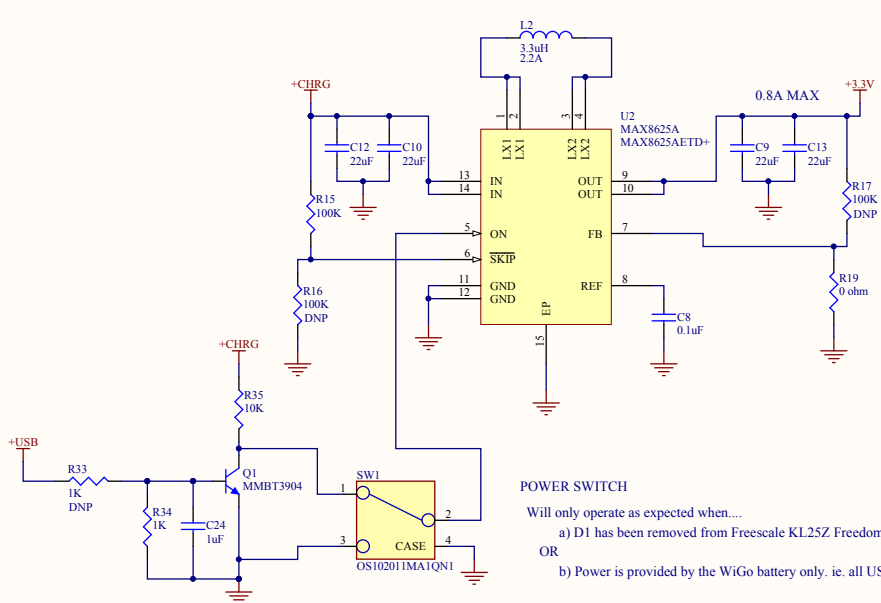


CHRG_EN1*	CHRG_EN2*	Mode
0	0	100mA
0	1	500mA
1	0	724mA
1	1	Suspend

INDICATORS



BUCK-BOOST



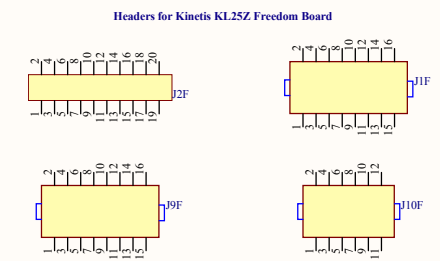
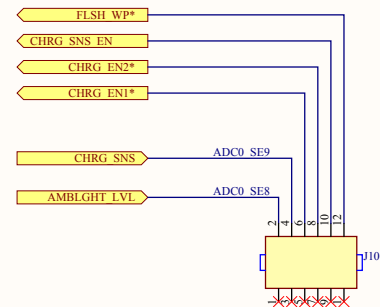
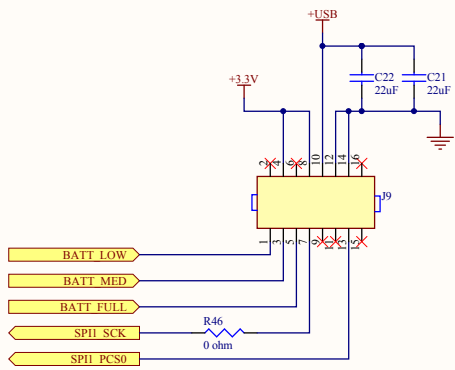
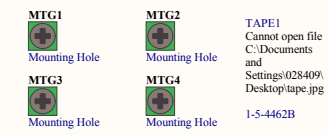
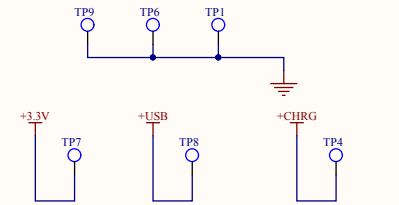
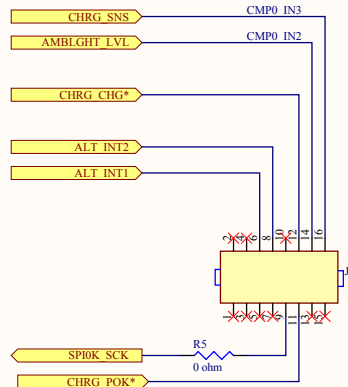
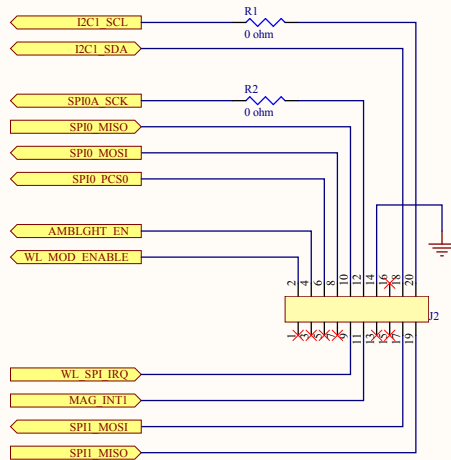
POWER SWITCH

Will only operate as expected when...

a) D1 has been removed from Freescale KL25Z Freedom Board

OR

b) Power is provided by the WiGo battery only. ie. all USB cables are unplugged and Freedom Coin cell is not present.



		KINETIS-L WIGO Module	
Title: Sheet 6 - Interface Connectors			
Size: B	Document Number: AES-KL-WIGO-SCH-B	Rev: B	
Date: 9/18/2012	Sheet 6	of 6	