

C030-U201-0-00

Debug_SchDoc	Revision: 1.3
Size: A4	Sheet 1 of 7
Date: 23.8.2017	Web: www.ublox.com



A

B

C

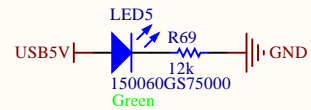
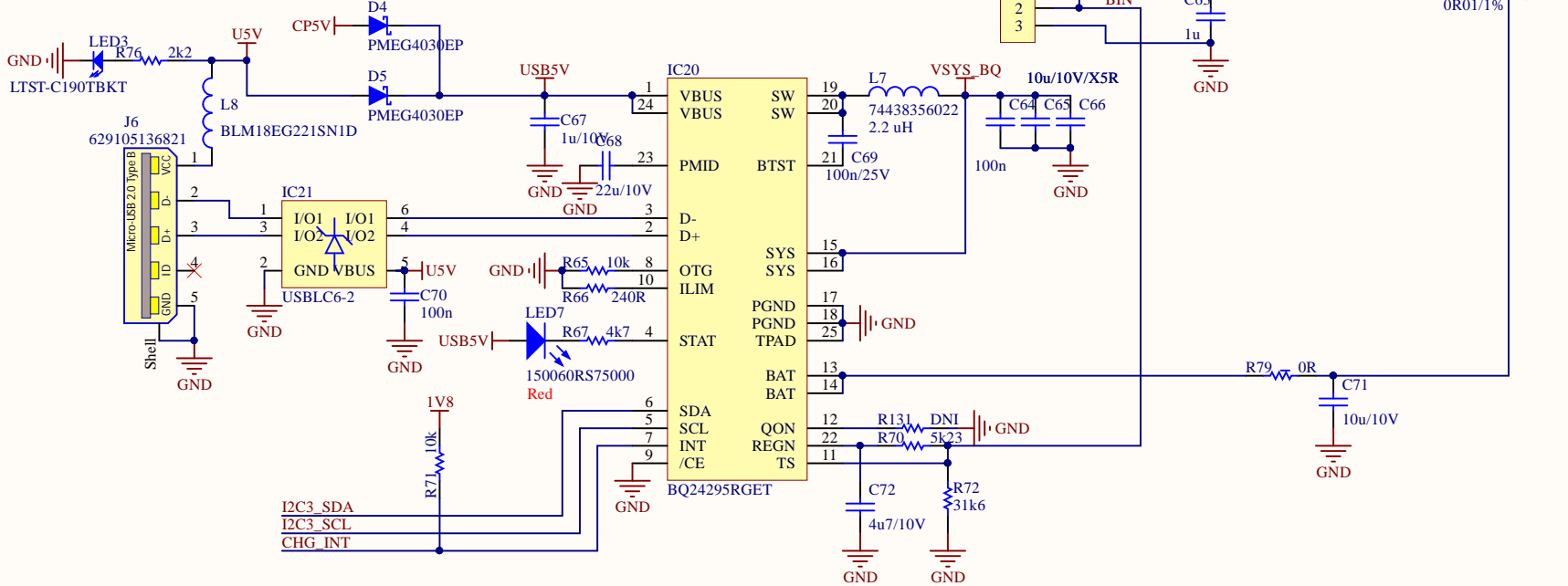
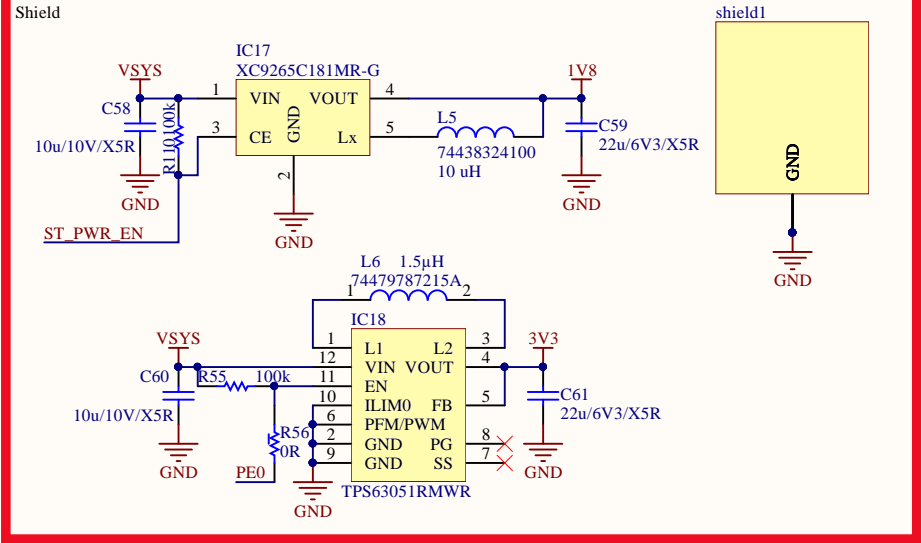
D

A

B

C

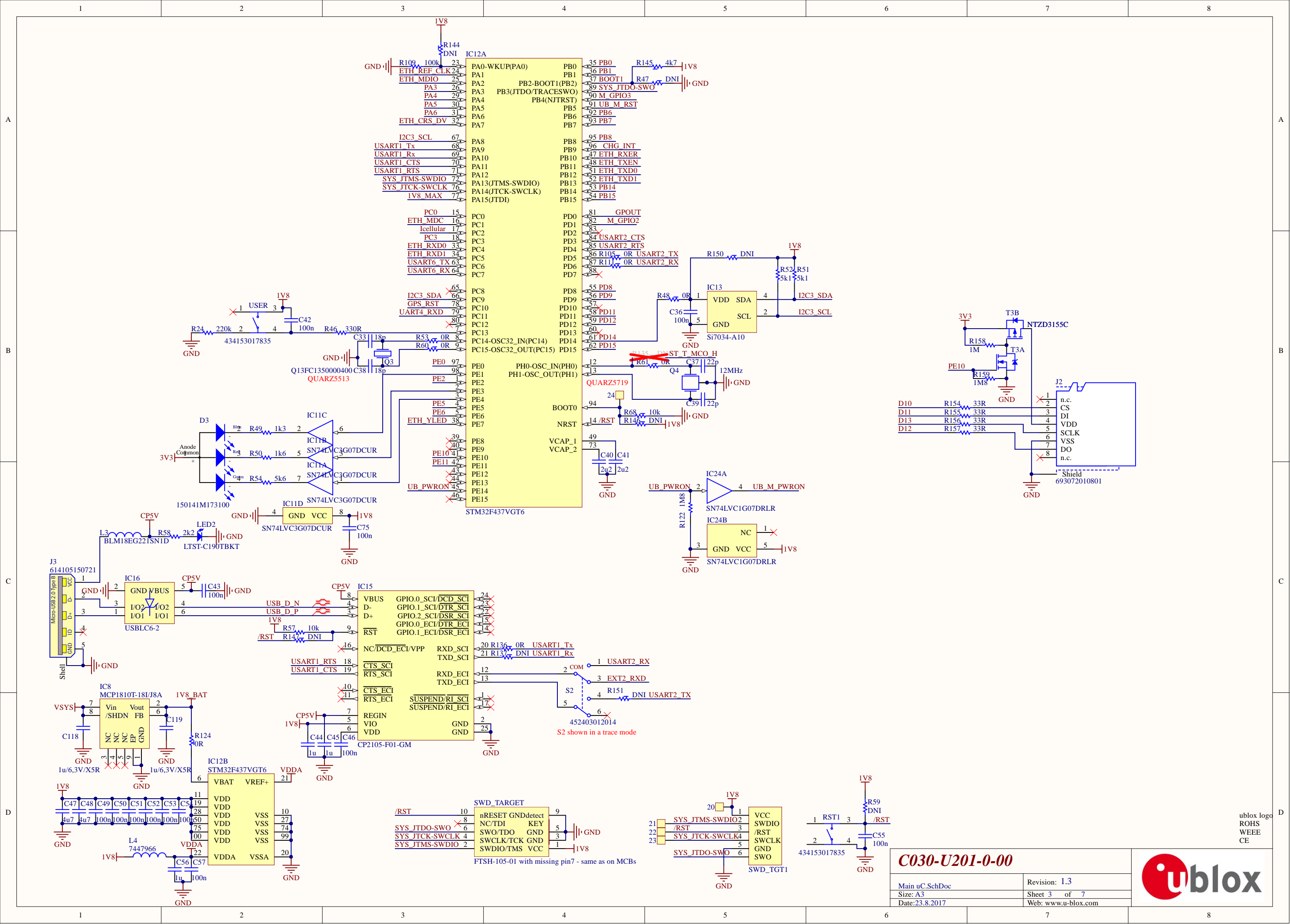
D



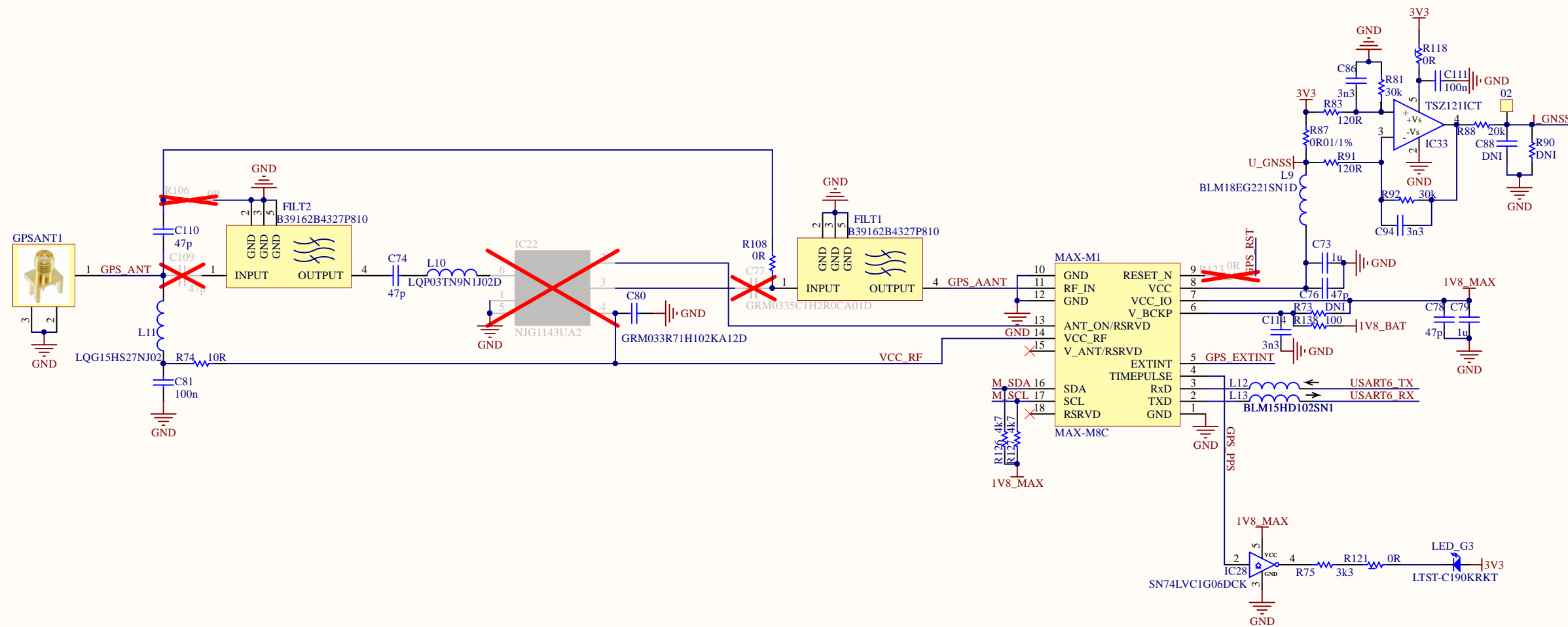
C030-U201-0-00

Power.SchDoc	Revision: 1.3
Size: A4	Sheet 2 of 7
Date:23.8.2017	Web: www.ublox.com





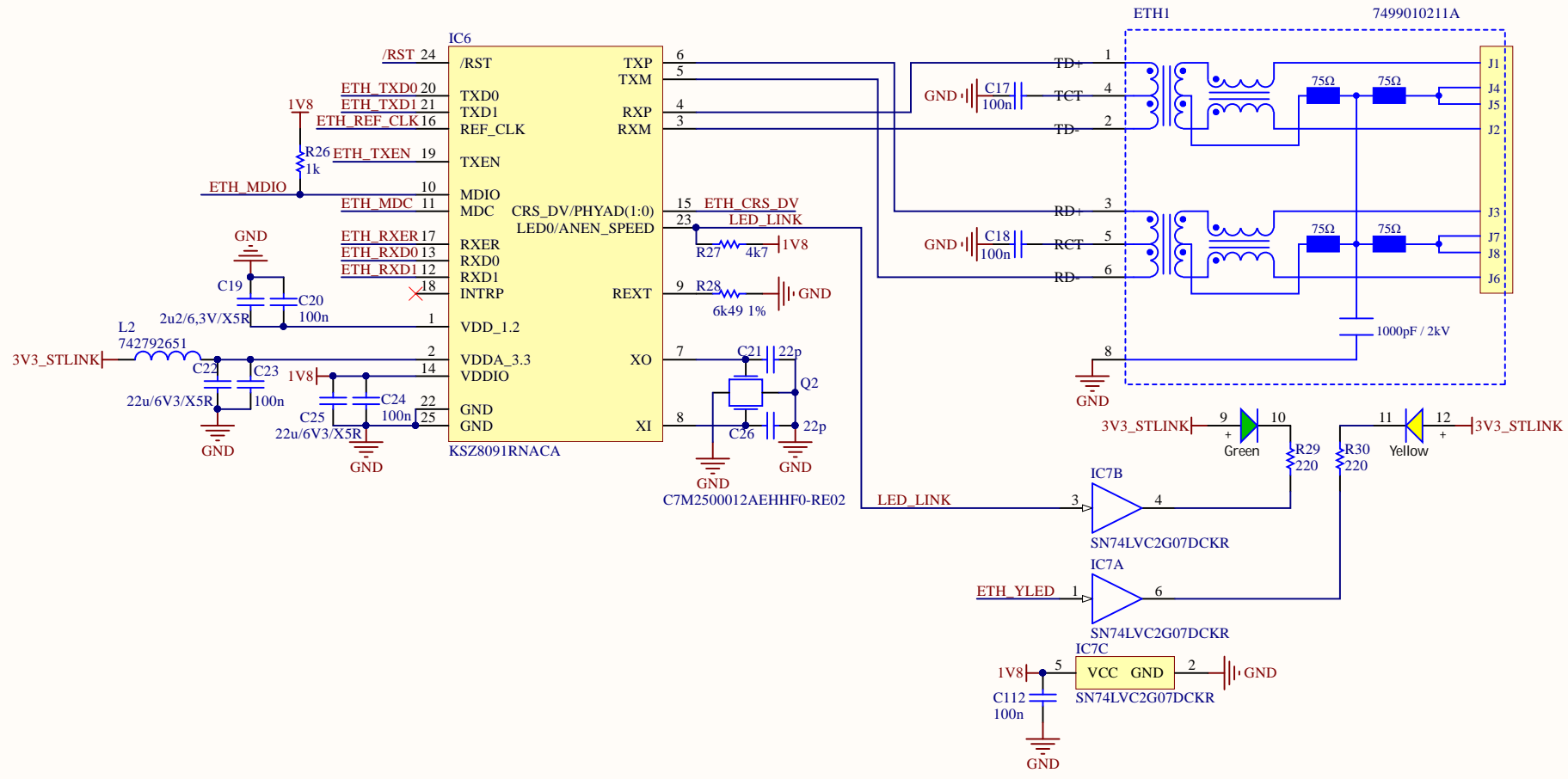
ublox logo
ROHS
WEEE
CE



C030-U201-0-00

MAX.SchDoc	Revision: 1.3
Size: A3	Sheet 5 of 7
Date: 23.8.2017	Web: www.u-blox.com

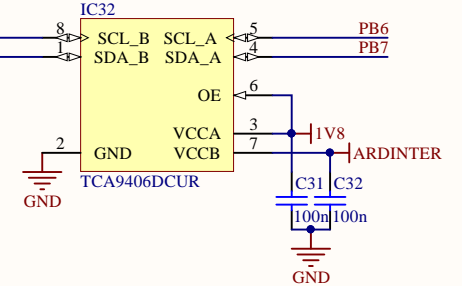
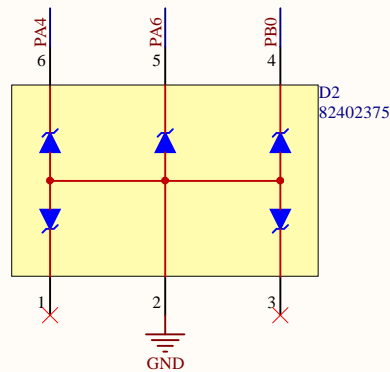
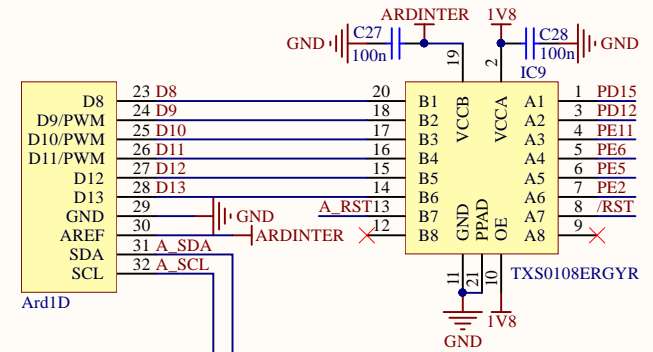
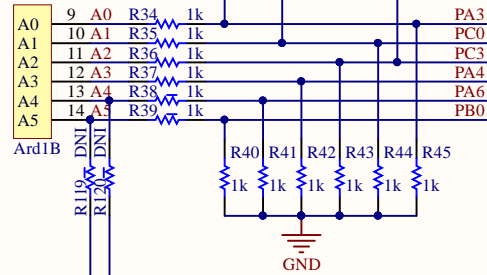
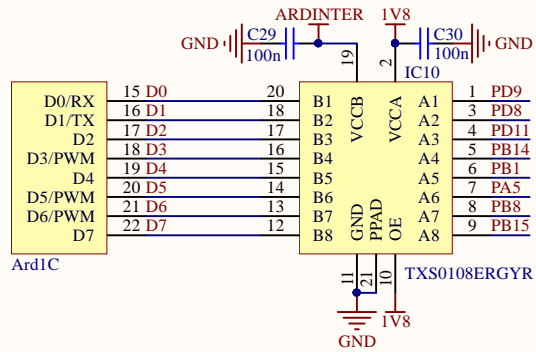
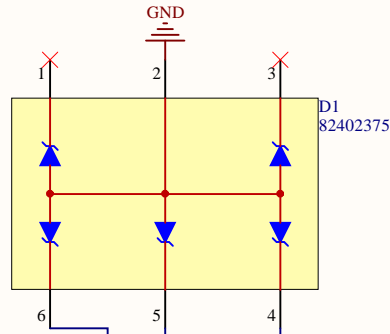
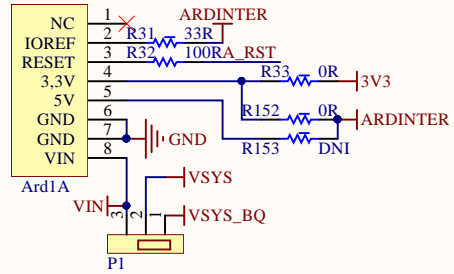




C030-U201-0-00

Ethernet.SchDoc	Revision: 1.3
Size: A4	Sheet 6 of 7
Date: 23.8.2017	Web: www.ublox.com





C030-U201-0-00

Arduino.SchDoc
Size: A4
Date: 23.8.2017

Revision: 1.3
Sheet 7 of 7
Web: www.ublox.com

