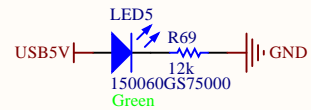
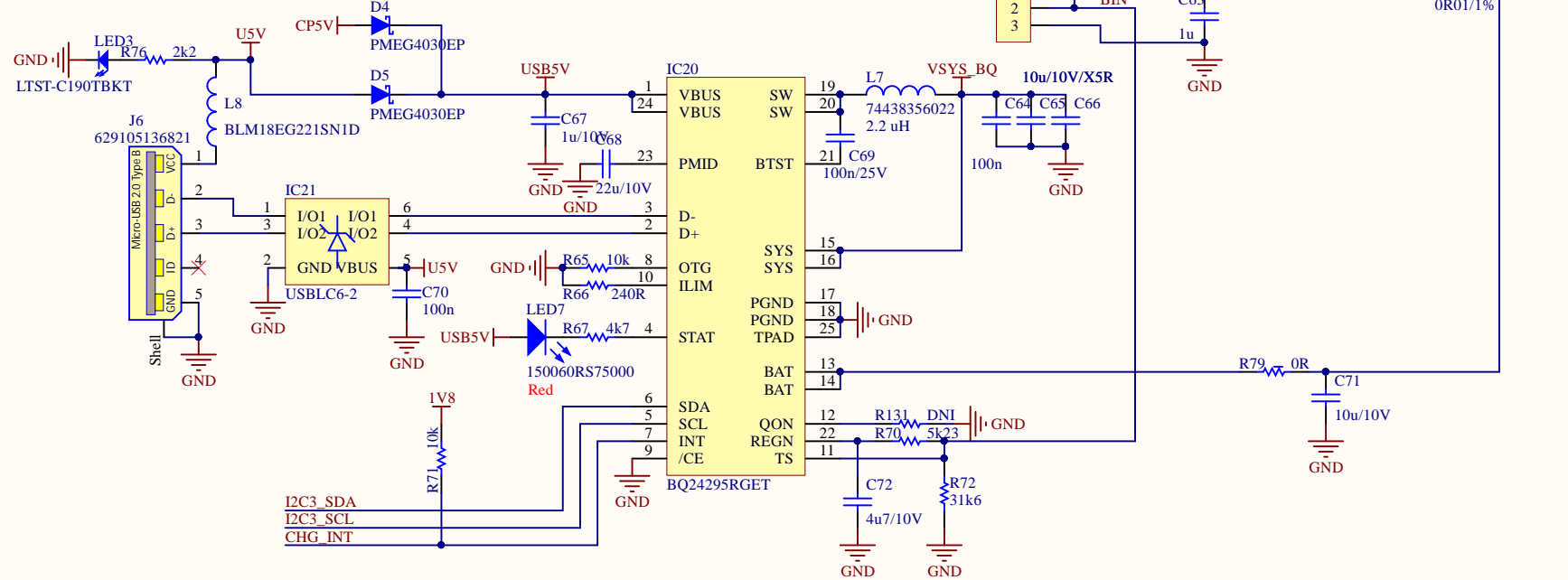
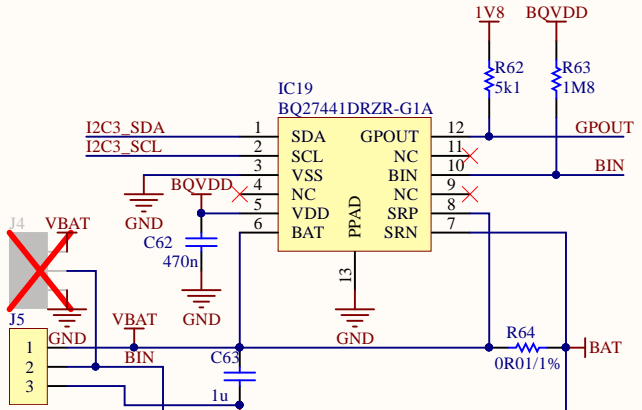
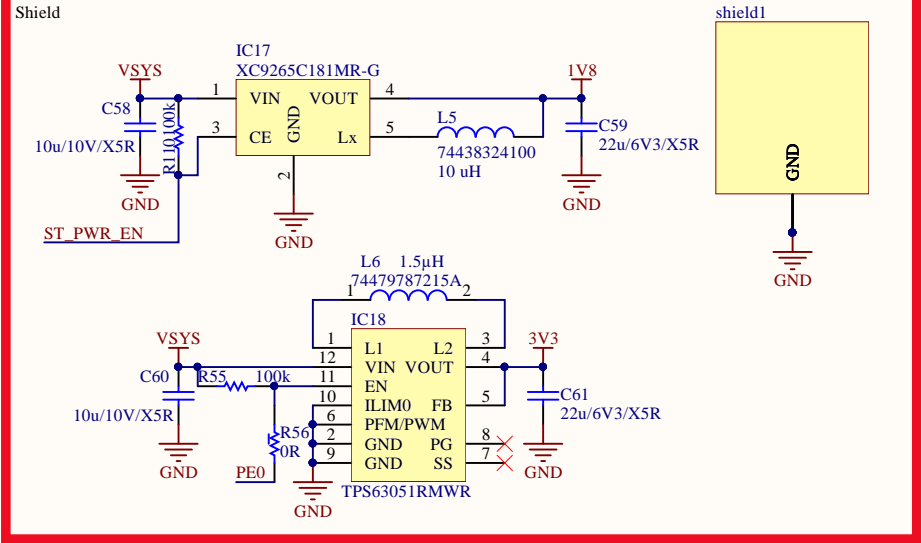


### C030-N211-0-00

Debug_SchDoc	Revision: 1.3
Size: A4	Sheet 1 of 7
Date: 23.8.2017	Web: www.ublox.com

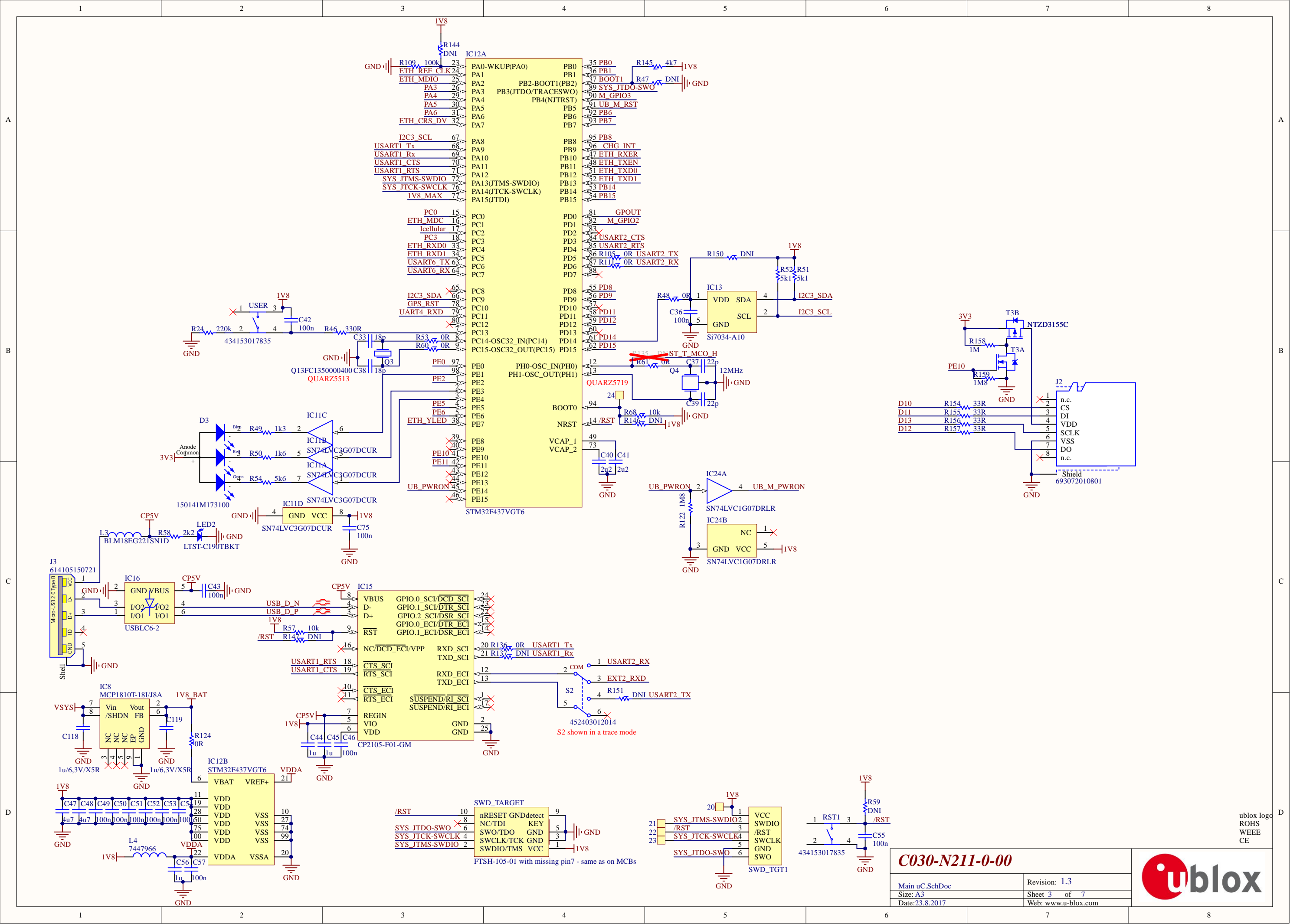




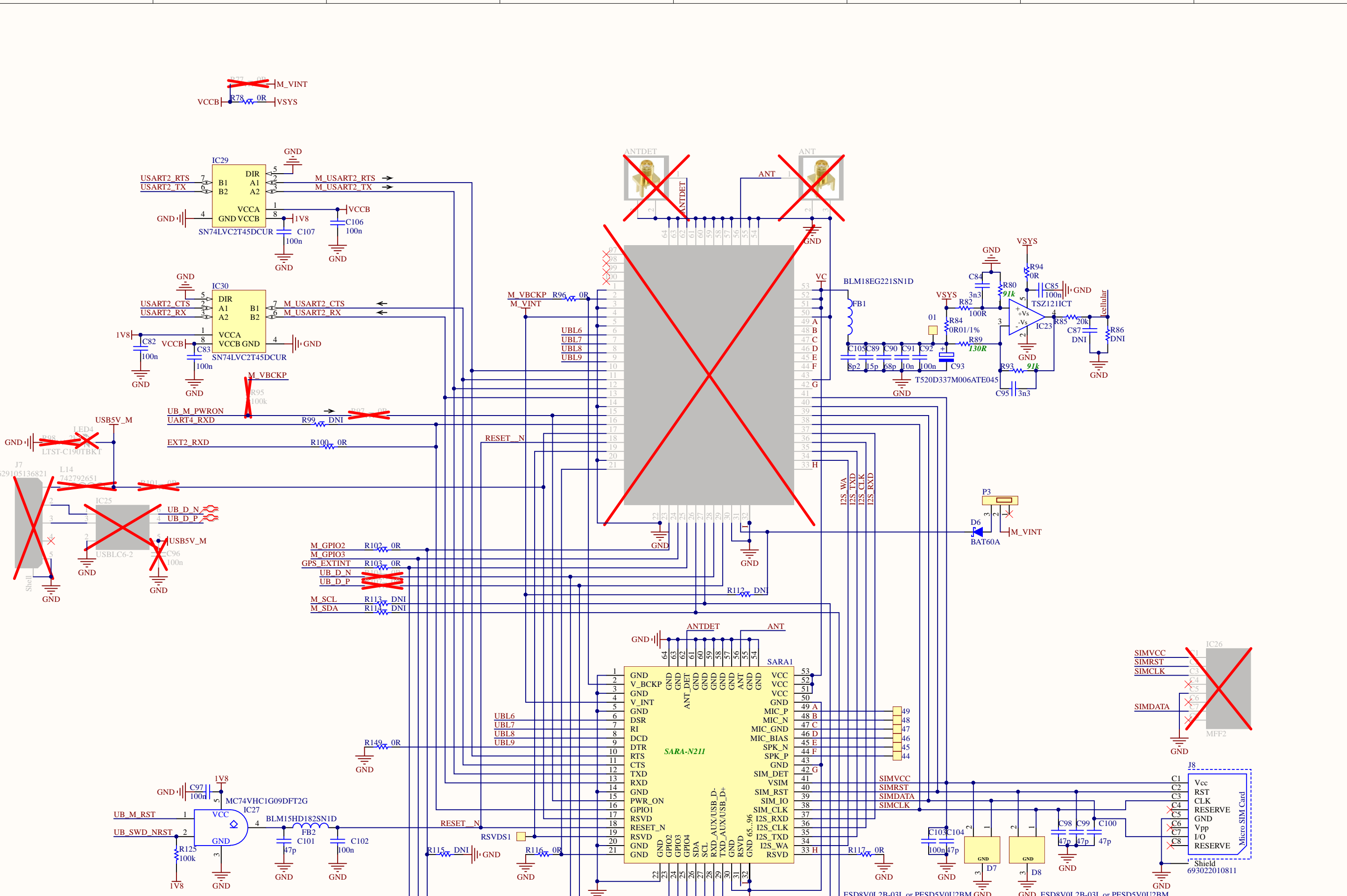
**C030-N211-0-00**

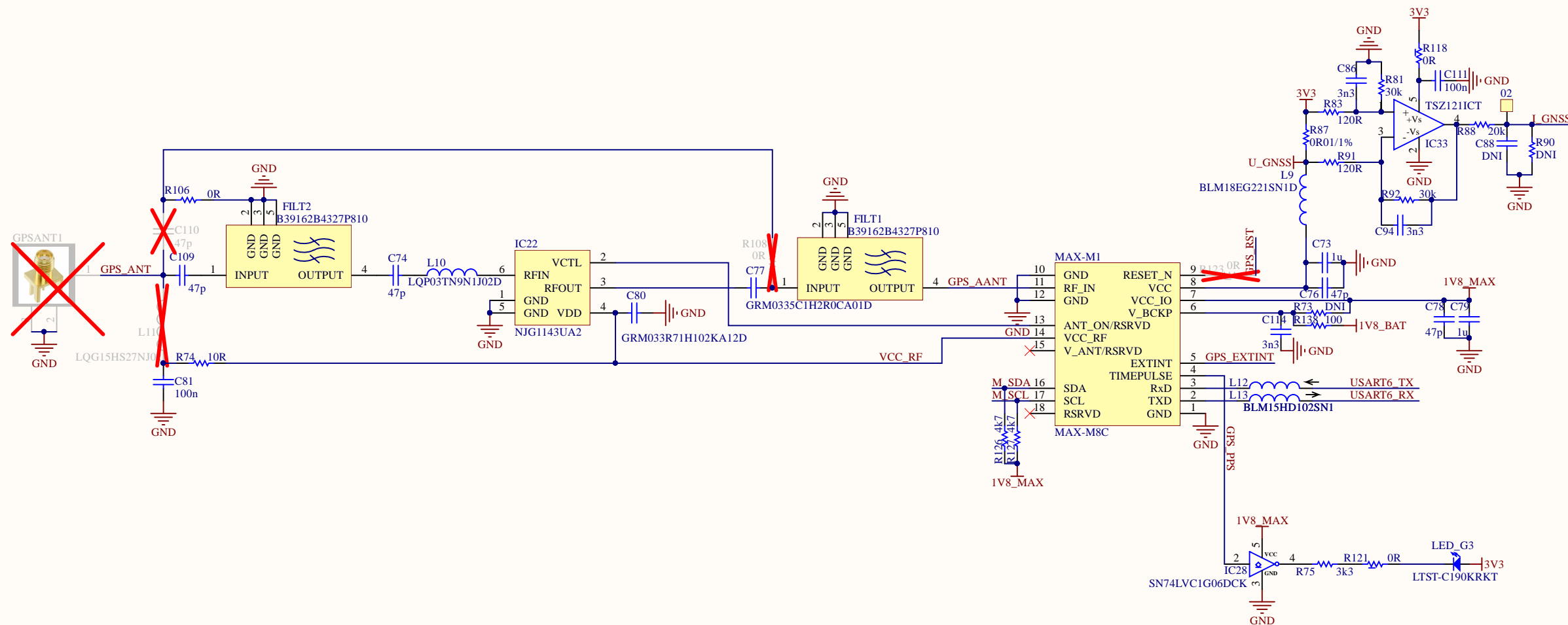
Power.SchDoc	Revision: 1.3
Size: A4	Sheet 2 of 7
Date: 23.8.2017	Web: www.ublox.com





ublox logo  
ROHS  
WEEE  
CE

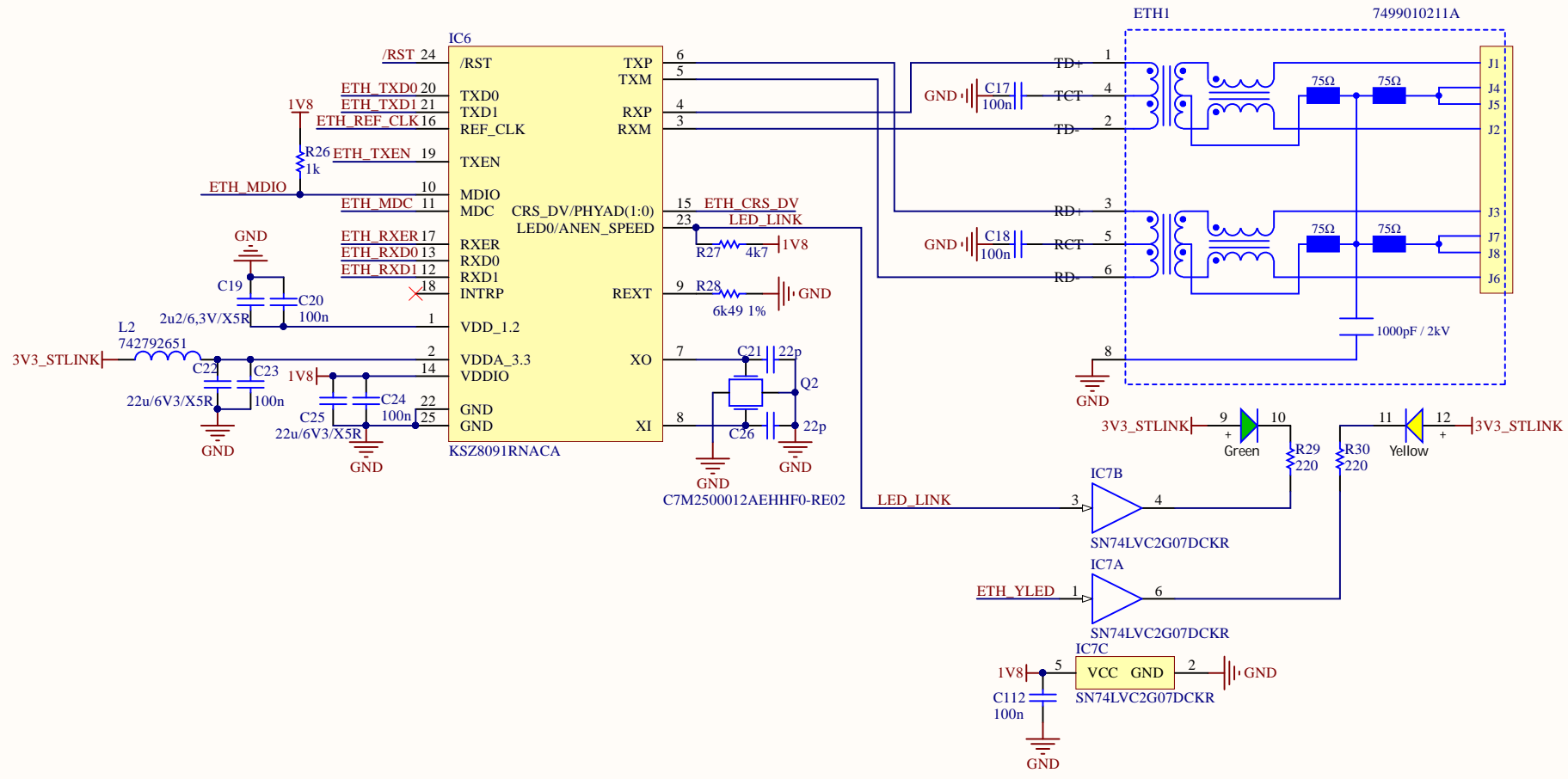




**C030-N211-0-00**

MAX.SchDoc	Revision: 1.3
Size: A3	Sheet 5 of 7
Date: 23.8.2017	Web: www.u-blox.com

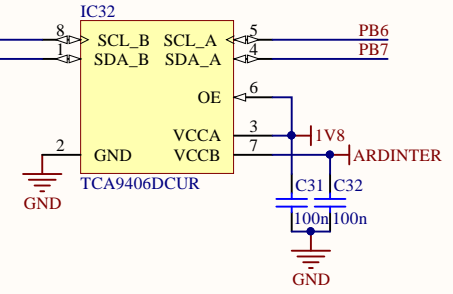
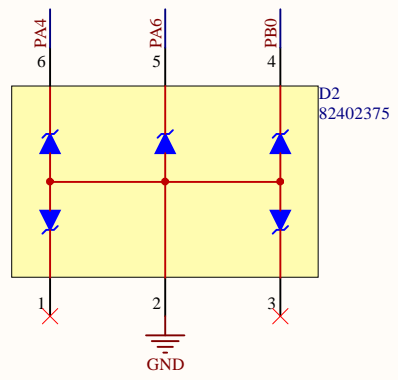
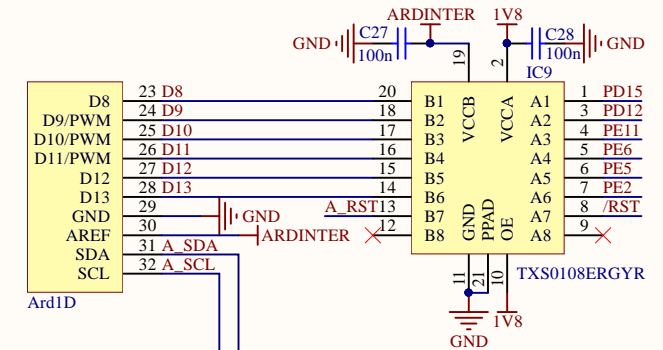
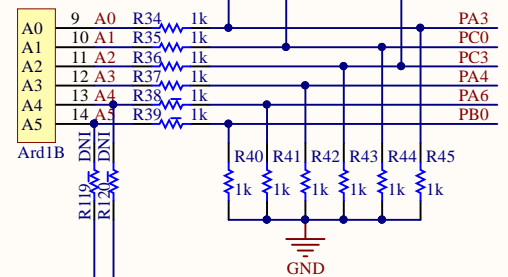
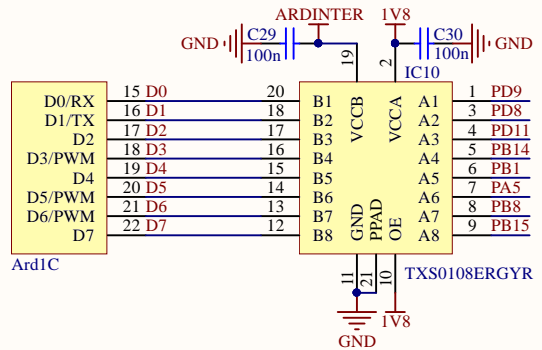
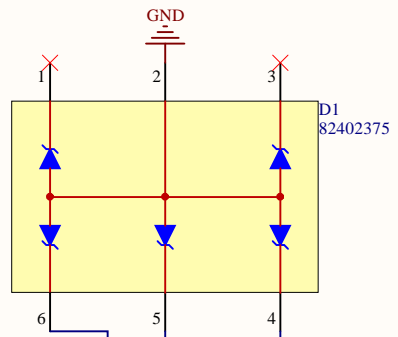
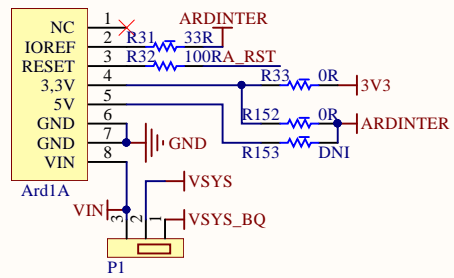




**C030-N211-0-00**

Ethernet.SchDoc	Revision: 1.3
Size: A4	Sheet 6 of 7
Date: 23.8.2017	Web: www.ublox.com





**C030-N211-0-00**

Arduino.SchDoc	Revision: 1.3
Size: A4	Sheet 7 of 7
Date: 23.8.2017	Web: www.ublox.com

