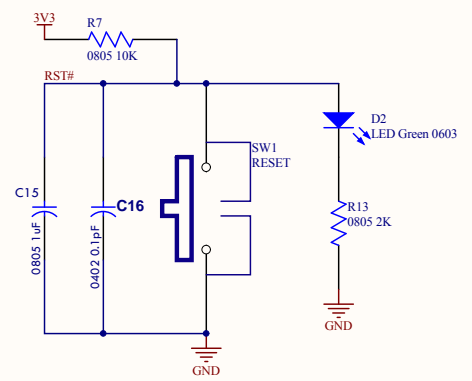
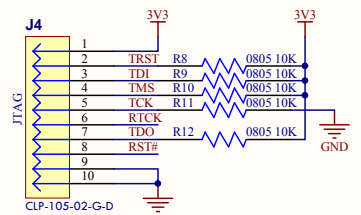
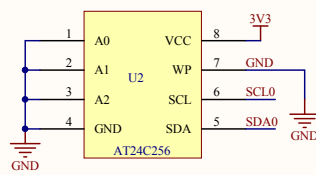
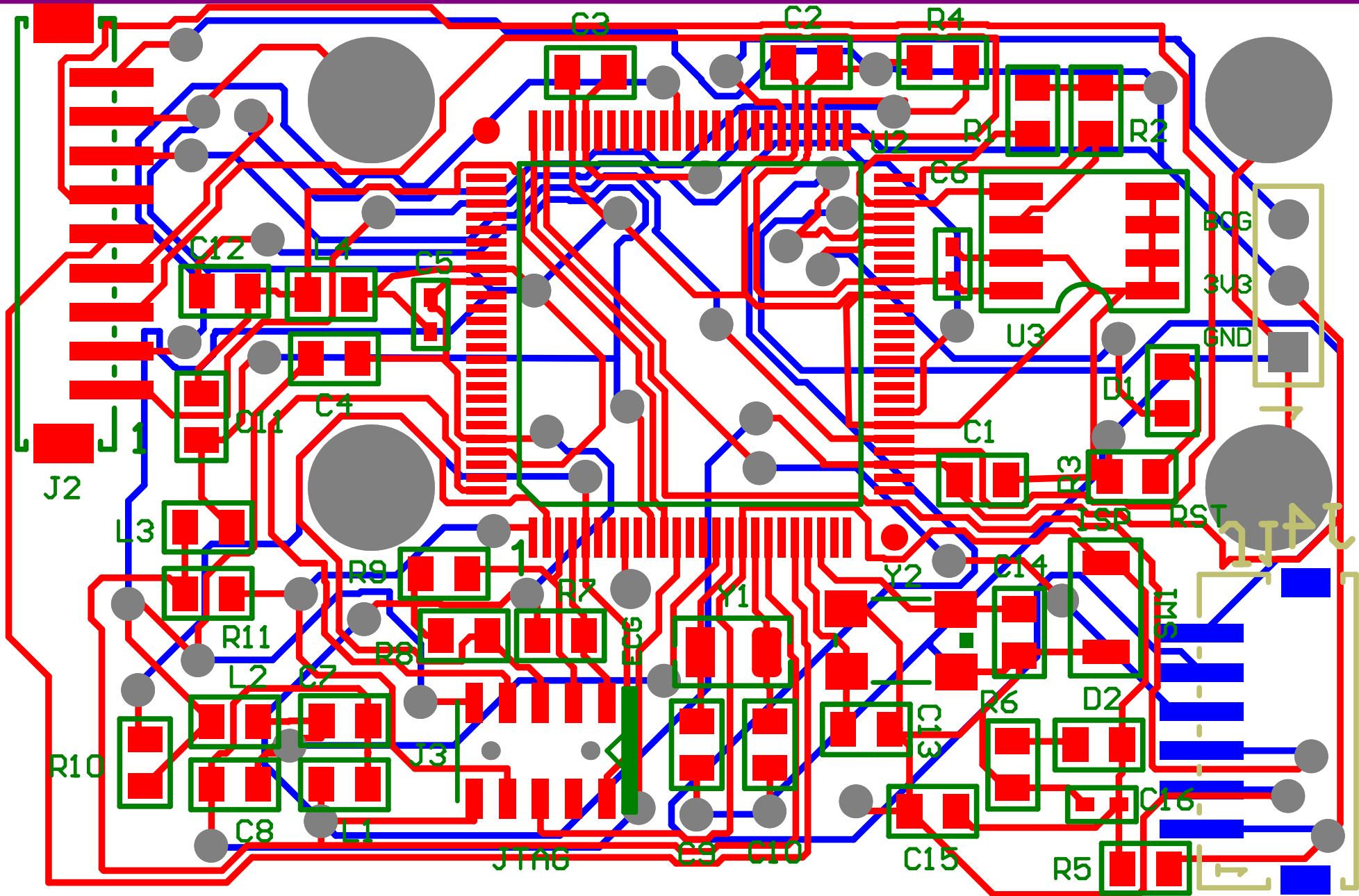


Pin	Signal	Component	Value
46	SDA1	R1	0805 2K
47	SCL1	R2	0805 2K
48	SDA0	R3	0805 2K
49	SCL0	R5	0805 2K
56	BCG IN	J3	HDR-3
57	ECG IN	J3	HDR-3
29	USB DP	R4	0805 2K
30	USB DM	R4	0805 2K
75	WIFI GPIO6	R6	0805 1k
76	WIFI RESET	R6	0805 1k



Title		
Size	Number	Revision
Date:	22/02/2013	Sheet of
File:	C:\EDUCATION\ALPC1768-minimum sdp	Doc

http://shop.ngxtechnologies.com/product_info.php?products_id=65
http://shop.ngxtechnologies.com/download/header/LPC1768/BlueBoard_LPC1768_USB_BL_UM.pdf



Bill of Materials

<Parameter Title not found>

Source Data From: LPC1768.PrjPCB
 Project: LPC1768.PrjPCB
 Variant: None

Creation Date: 22/02/2013 8:52:44 PM
 Print Date: 41327 41327.87015

Footprint	Comment	LibRef	Designator	Description	Quantity
0805	0805 0.1uF	CC_0805	C1, C2, C3, C4		4
0402	0402 0.1pF	CC_0402	C5, C6, C16		3
0805	0805 1uF	CC_0805	C7, C11, C15		3
0805	0805 10nF	CC_0805	C8, C12		2
0805	0805 12pF	CC_0805	C9, C10		2
0805	0805 18pF	CC_0805	C13, C14		2
0805	LED Green 0603	LED Green 0603	D1, D2	Lite-on LED 0603 Green Water Clear - LTST-C190GKT	2
TP35	TP	TP	ECG_IN1	TESTPOINT	1
JST_S6B-ZR-SM4A	S6B-ZR-SM4	S6B-ZR-SM4	J1	JST 1.5mm 6 pos Side Entry	1
JST_B9B-ZR-SM4	B9B-ZR-SM4	B9B-ZR-SM4	J2	JST 1.5mm 9 pos Top Entry SMT	1
HDR1x3	HDR-3	HDR-3	J3	1x3 pin 0.1" spacing jumper ST through hole, cut from molex 22-28-4363	1
CLP-105-02-XD	CLP-105-02-G-D	CLP-105-02-G-D	J4		1
L0805	BLM21PG221S N1D	BLM21PG221S N1D	L1, L2, L3, L4	Murata's 2A Ferrite 0805	4
0805	0805 2K	RC_0805	R1, R2, R3, R4, R5, R13	0805	6
0805	0805 1k	RC_0805	R6	0805	1
0805	0805 10K	RC_0805	R7, R8, R9, R10, R11, R12	0805	6
B3U-1000P	RESET	Switch	SW1		1
TQFP-100	LPC1768FBD100	LPC1768	U1		1
SO8	AT24C256	AT24C256	U2		1
XTAL-ECS-327-125-34B	32.768KHz	CRYSTAL	Y1	ECS-327-125-ND	1
XTAL-ABM3B	ABM3B-12.000MHZ-B2-T	ABM3B-24.000MHZ	Y2	Crystal 24 MHz 50 ohm 18pF 50ppm	1

45

Approved _____ Notes _____

--	--

