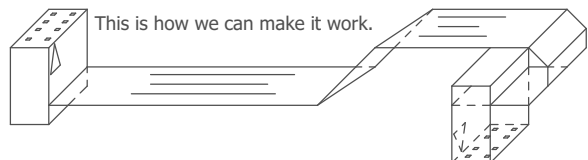
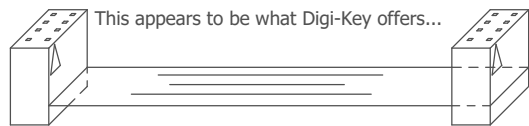
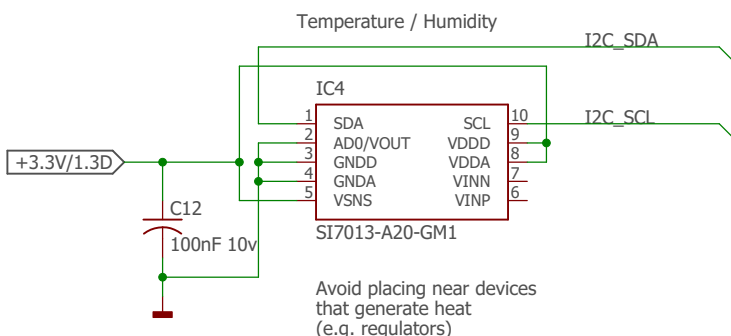
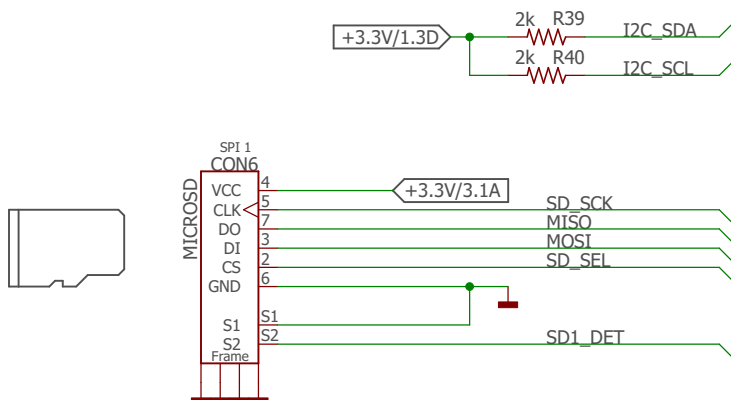


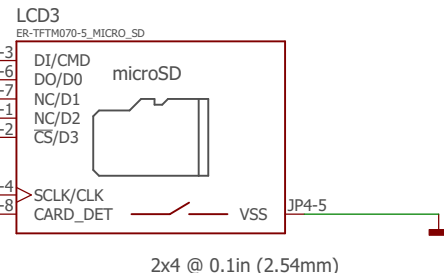
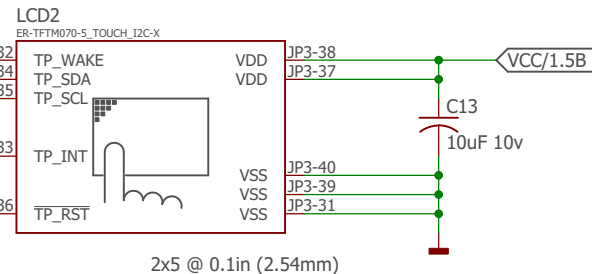
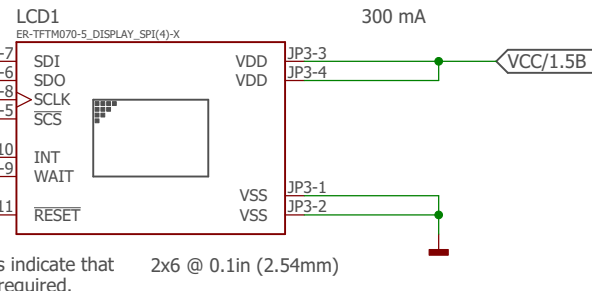
Ribbon concepts: Need 2x4, 2x5, and 2x6 cables



IOBUS

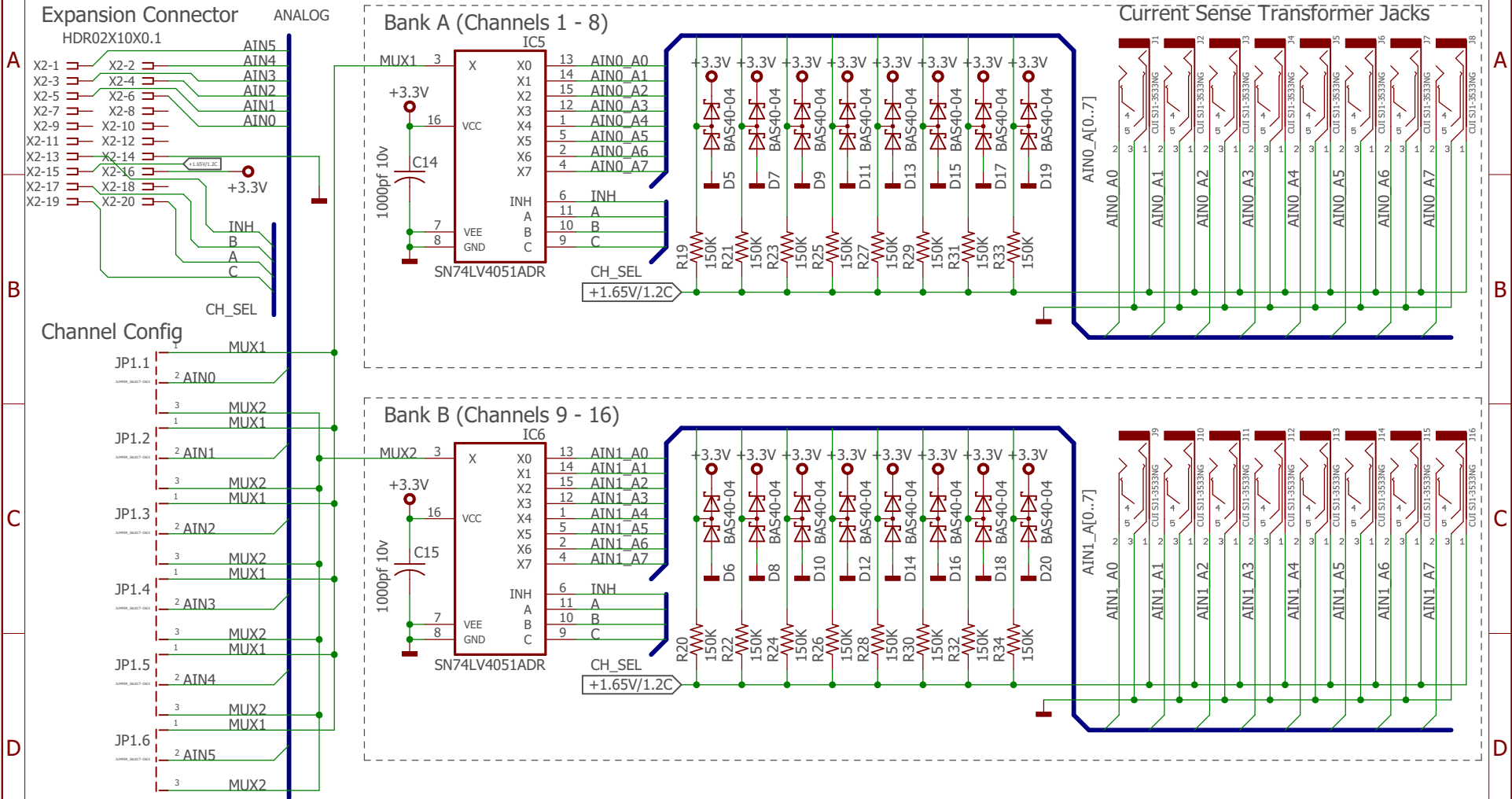


Avoid placing near devices that generate heat (e.g. regulators)



Document Title: WattVision Base	
Sheet Function: Display Interface	
Smartware Computing	
Drawn: David Smart	
Part Number: WattVision	Rev: 1.0.2
Date: 9/5/2016 11:09 AM	Sheet: 2/5

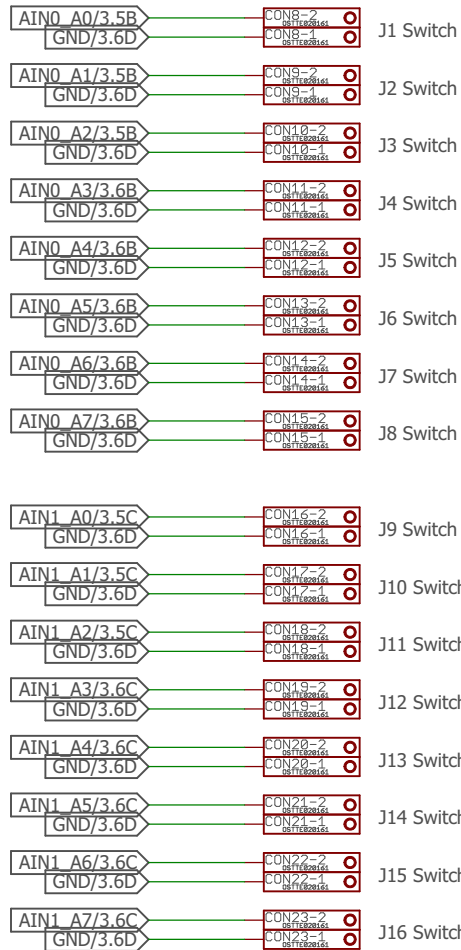
This sheet is replicated to another PCB to "stack" additional banks of 16 channels.



Document Title: WattVision Base	
Sheet Function: Mixed Analog/Digital Input Smartware Computing	
Drawn: David Smart	Rev: 1.0.2
Part Number: WattVision	Rev: 1.0.2
Date: 9/5/2016 11:09 AM	Sheet: 3/5

This sheet is replicated to another PCB to "stack" additional banks of 16 channels.

Screw Terminal Alternates to Audio Jack
when using external switch to ground.



Document Title: WattVision Base	
Sheet Function: Screw Terminal Alternates	
Smartware Computing	
Drawn: David Smart	
Part Number: WattVision	Rev: 1.0.2
Date: 9/5/2016 11:09 AM	Sheet: 4/5

1

2

3

4

5

6

A

V1.0.1 20160904 Errata

Missing connection between pin 4, 5 on temp sensor
I2C_SDA, I2C_SCL need 2K pullups. Display module provides weak pullups.

A

B

V1.0.2 20160905 Changes

Added LED option to relay driver
Added pullup resistors on I2C_SDA, I2C_SCL
Corrected missing connection to temp sensor pin 3, 4

B

C

C

D

D

E

E

Document Title: WattVision Base	
Sheet Function: Special Instructions	
Smartware Computing	
Drawn: David Smart	
Part Number: WattVision	Rev: 1.0.2
Date: 9/5/2016 11:09 AM	Sheet: 5/5