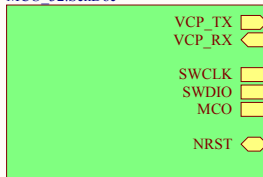
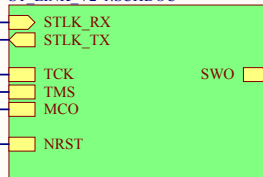


U\_MCU\_32  
MCU\_32.SchDoc



U\_ST\_LINK\_V2-1  
ST\_LINK\_V2-1.SCHDOC

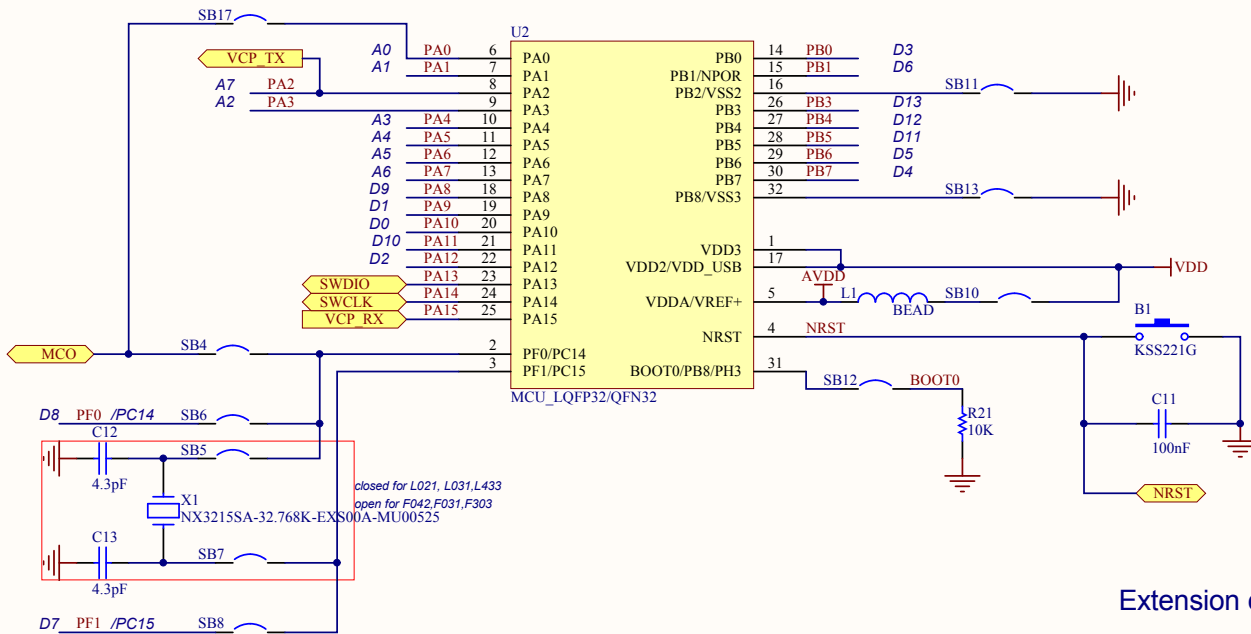


SWO 

REV B: SB14 changed to JP1 Jumper for easy IDD measurement, and enlarge board length; CN1 USB PN changed to Micro-B for Device.  
REV C: Add SB18/SB16 for connecting D4/D5 to A4/A5

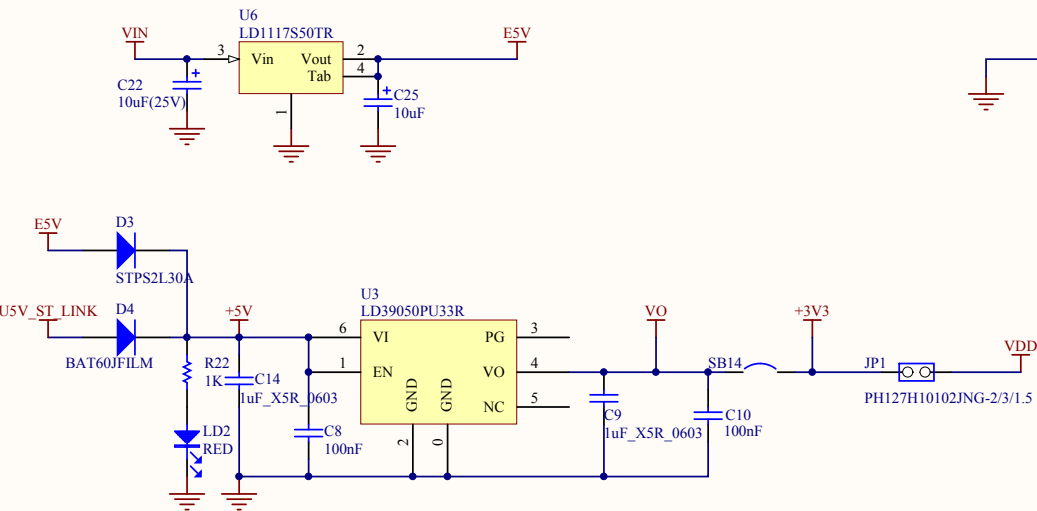
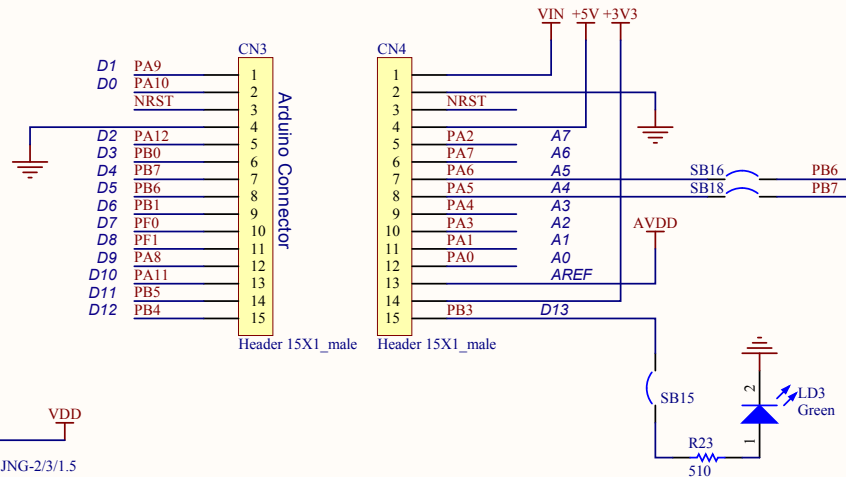
Title: <b>TOP</b>		
Project: <b>NUCLEO32</b>		
Size: A4	Reference: MB1180	Revision: C.1
Date: 6/5/2015	Sheet: 1 of 3	





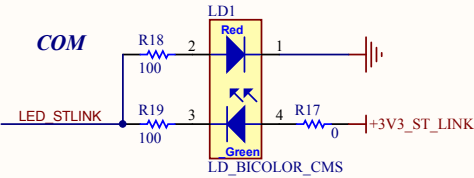
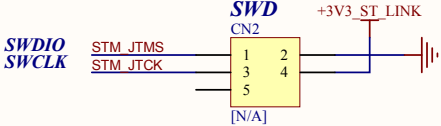
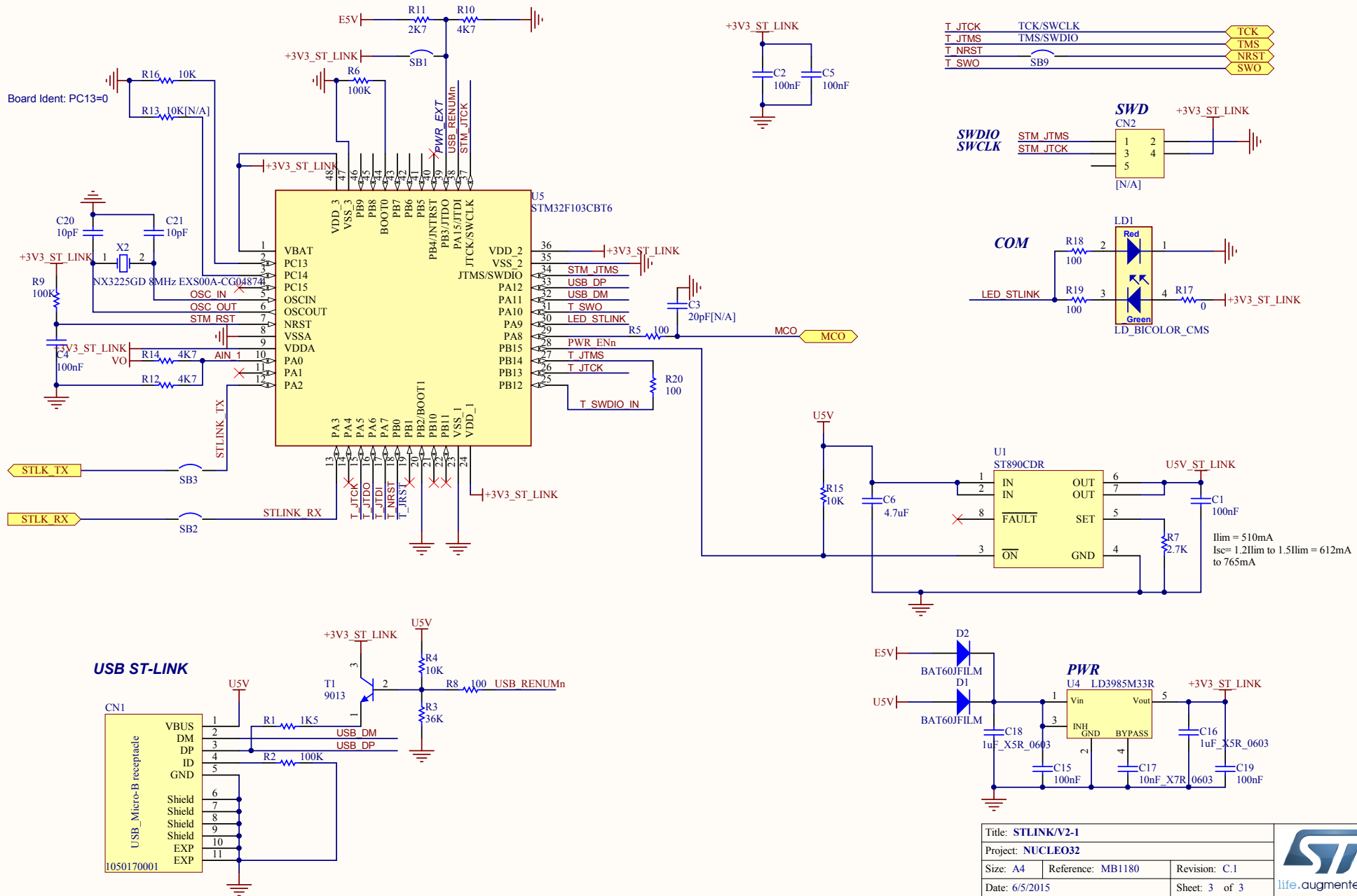
closed for L021, L031, L433  
open for F042, F031, F303  
NX3215SA-32.768K-EXS00A-MU00525

### Extension connectors



Title: MCU	
Project: NUCLEO32	
Size: A4	Reference: MB1180
Date: 6/5/2015	Revision: C.1
Sheet: 2 of 3	





U1 ST890CDR

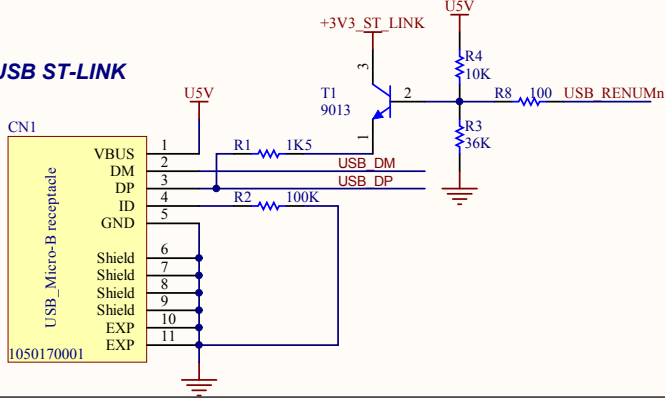
IN IN 6 OUT 7  
 IN IN 8 SET 5  
 ON GND 4

U5V → R15 → IN  
 U5V → C6 → IN  
 U5V → R7 → SET

C1 100nF

Ilim = 510mA  
 Isc = 1.21lim to 1.51lim = 612mA to 765mA

**USB ST-LINK**



Title: STLINK/V2-1		
Project: NUCLEO32		
Size: A4	Reference: MB1180	
Date: 6/5/2015	Revision: C.1	
Sheet: 3 of 3		life.augmented