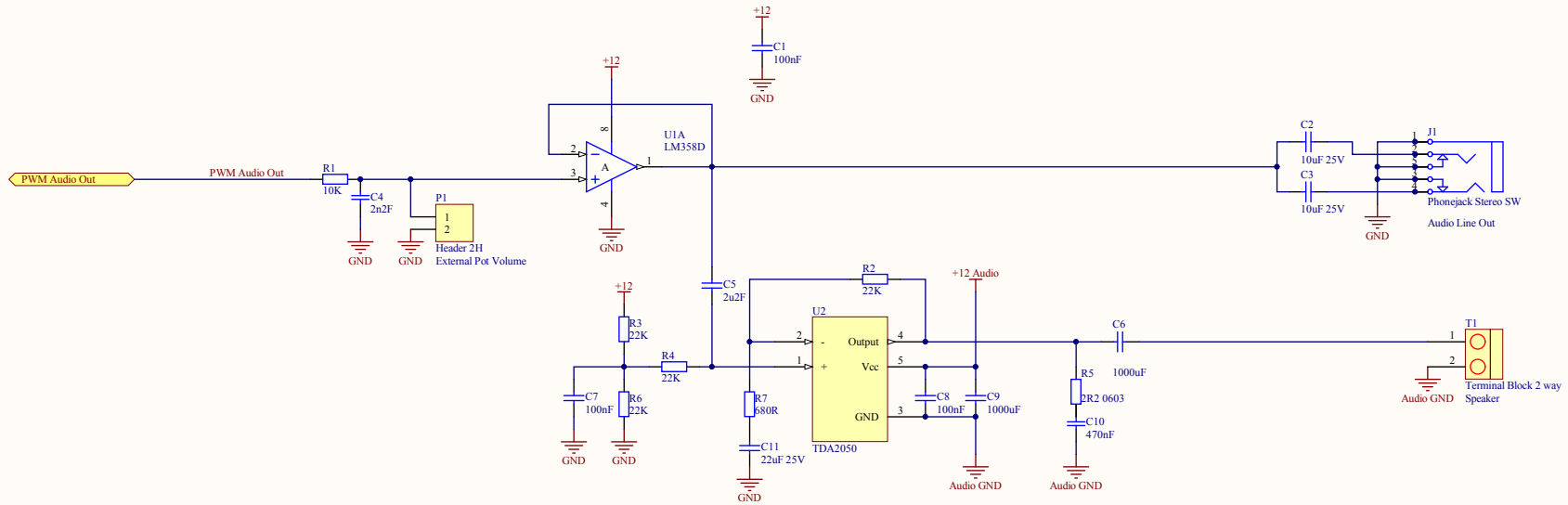
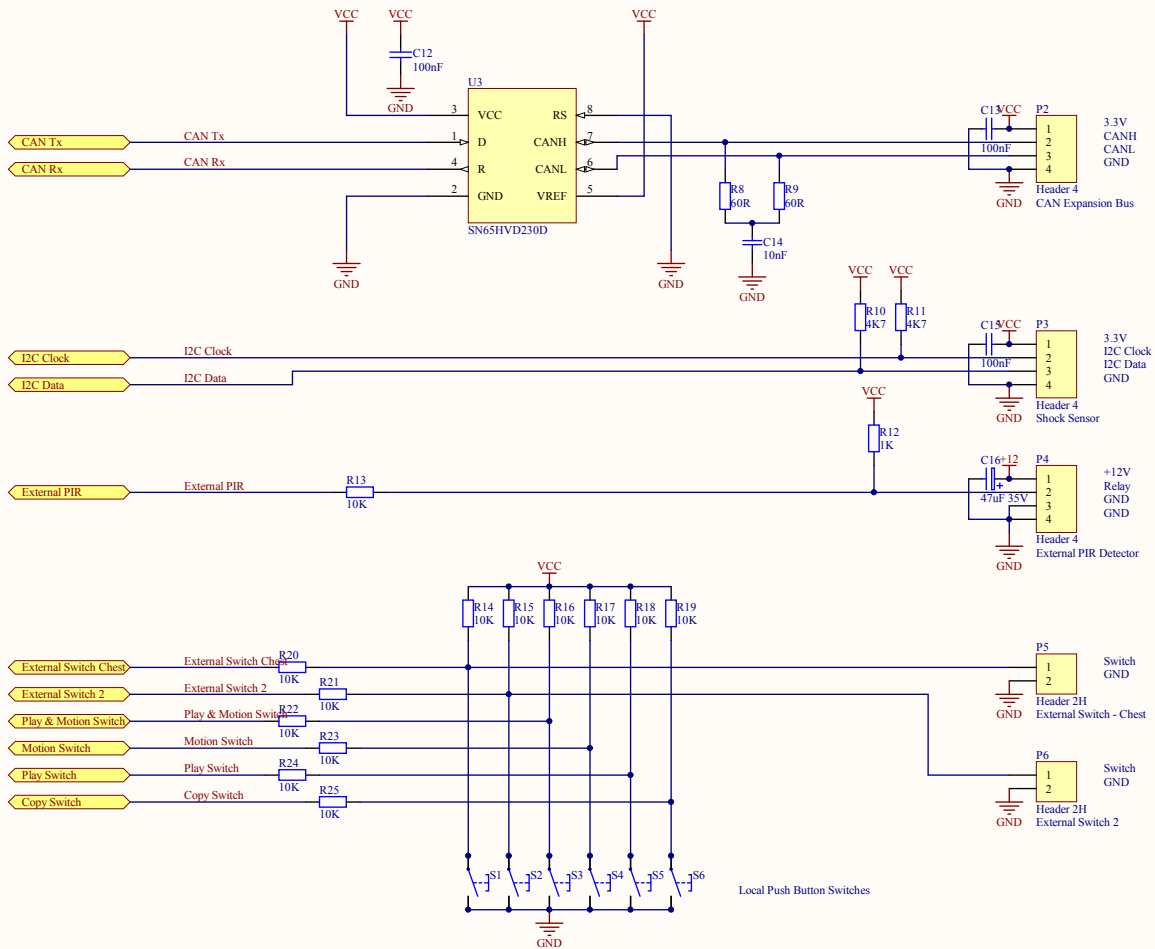


Checked By:	Title: <b>mbed robot mannequin - CPU &amp; PSU</b>		Hitex (UK) Ltd. Sir William Lyons Road University of Warwick Science Park Coventry	
Approved By:	Size: A3	Number: *	Revision: 1.0	hitex DEVELOPMENT TOOLS
	Date: 31/8/11	(c) Hitex (UK) Ltd. Sheet 2 of 5		
	File: C:\Users\dgiles\Documents\SVN Projects\mbed robot\Altium Files\Mbed CPU & PSU\SchDoc			
				Author: D Giles



Checked By:	Title: <b>mbed robot mannequin - audio driver</b>		Hitex (UK) Ltd. Sir William Lyons Road University of Warwick Science Park Coventry	
Approved By:	Size: A3	Number: *	Revision: 1.0	hitex DEVELOPMENT TOOLS
	Date: 31/8/11		(c) Hitex (UK) Ltd. Sheet 3 of 5	
File: C:\Users\dgiles\Documents\SVN Projects\mbed_robot\Altium Files\Audio Driver.SchDoc				Author: David Giles



Checked By:	Title: <b>mbed robot mannequin - external interfaces</b>		Hitex (UK) Ltd. Sir William Lyons Road University of Warwick Science Park Coventry
Approved By:	Size: A3	Number: *	Revision: 1.0
	Date: 31/8/11		(c) Hitex (UK) Ltd. Sheet 4 of 5
	File: C:\Users\d Giles\Documents\SVN Projects\mbed robot\Altium Files\External Interfaces\SchDoc		
			Author: David Giles



